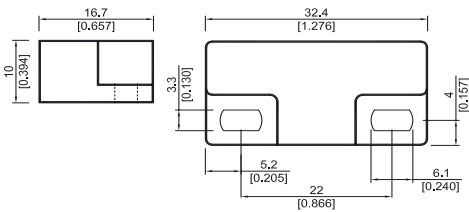
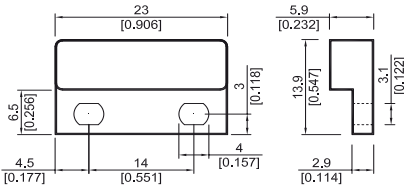
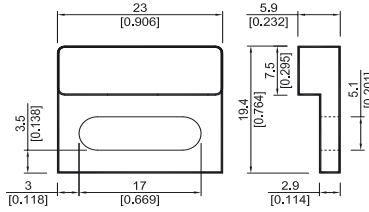
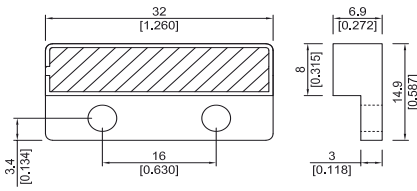
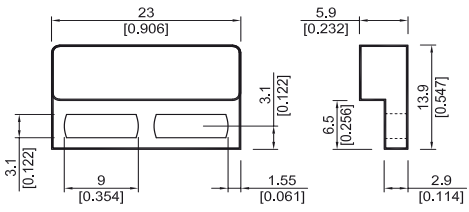
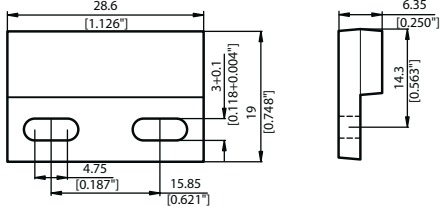


You find a description of the different materials in the data book on pages 41-45.

Magnets in Standard Casing			
Dimensions	Material	Typ. magn. Moment (x 10 <sup>-5</sup> )	Article No.
	AlNiCo	2.22	M2 250000002
	AlNiCo	2.22	M4 250000004
	AlNiCo	2.22	M5 250000005
	AlNiCo	2.22	M12 250000012
	AlNiCo	2.22	M13 250000013
	AlNiCo	2.22	M21 250000021
<p>All dimensions in mm. For more information please consult your nearest MEDER sales office for assistance.</p>			