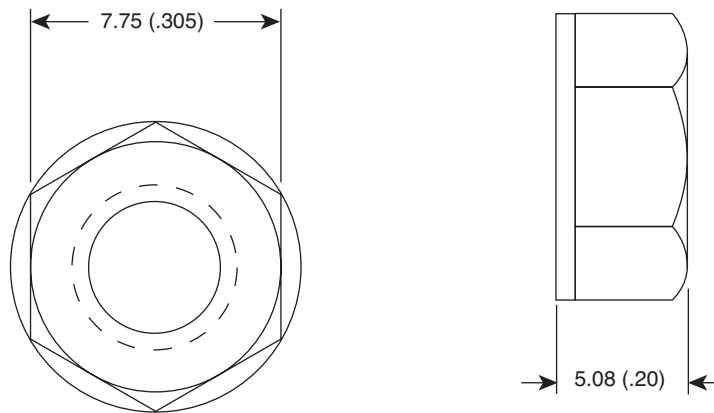


Date Last Revised: 10-4-06



Dimensions: mm (In.)

SPECIFICATIONS	
Material:	Nylon 6/6 UL 94V2
Description:	632 Lock Nut

Available from Mouser Electronics  
 1-800-346-6873  
 www.mouser.com

EPD-200440

Specifications are subject to change without notice. No liability or warranty implied by this information. Environmental compliance based on producer documentation.