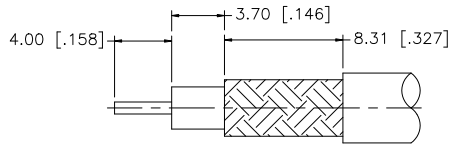
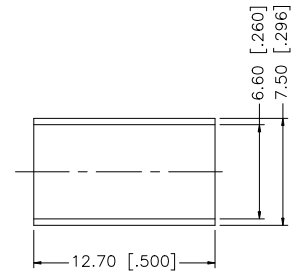
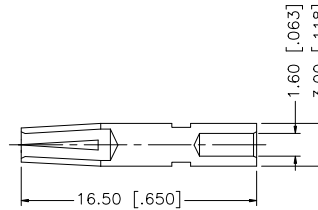
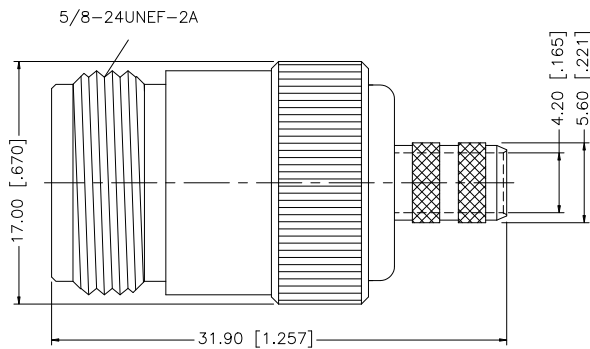


REV.	DATE	ECR NO.	DESCRIPTION
A	12/05/99	-	UPDATE DRAWING
B	01/21/07	-	UPDATE DRAWING FORMAT
C	04/07/08	XXXXXX	REVISE BODY, FERRULE PLATING TO NEXCOTE



RECOMMENDED CABLE STRIPPING DIMS.



8					UNLESS OTHERWISE SPECIFIED DIMENSIONS ARE IN MILLIMETERS. DIMENSIONS IN [ ] ARE IN INCHES AND FOR CUSTOMER REFERENCE ONLY.	APPROVALS	DATE	<b>Amphenol Connex</b>		
7					UNLESS OTHERWISE SPECIFIED TOLERANCES FOR MILLIMETERS ARE: 0.5 - 8mm ± 0.20mm 8 - 30mm ± 0.40mm 30 - 120mm ± 0.50mm	DRAWN G.R.S.	04/07/08			
6					UNLESS OTHERWISE SPECIFIED TOLERANCES FOR INCHES ARE: .020 - .315 = ± 0.007" .315 - 1.180 = ± 0.015" 1.180 - 4.724 = ± 0.020"	CHECKED		PART NO. <b>172148</b>		
5						ISSUED				
4	FERRULE	BRASS	NEXCOTE	1		SHEET 1 OF 1		REV. C	SIZE A	SCALE NA
3	CONTACT PIN	BER. COPPER	GOLD	1		CAD FILE C:/172/172148.DWG				
2	INSULATOR	TEFLON	NATURAL	1						
1	BODY	BRASS	NEXCOTE	1						
	DESCRIPTION	MATERIAL	FINISH	QTY	DO NOT SCALE DRAWING					