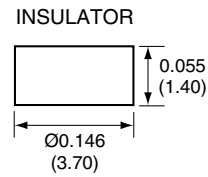
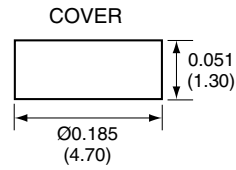
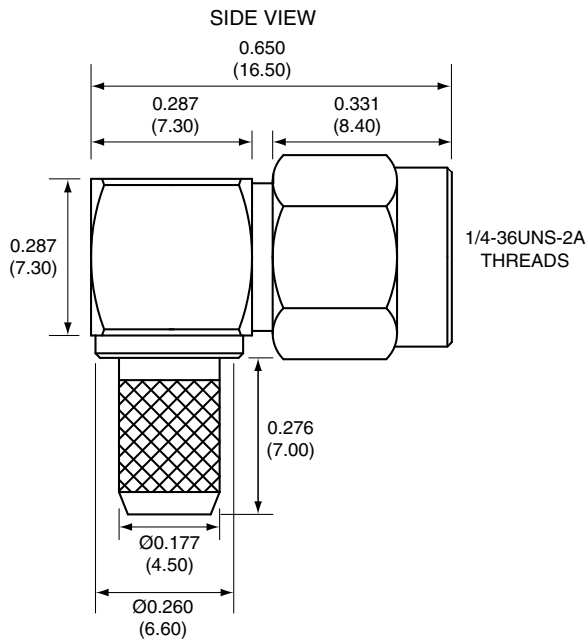
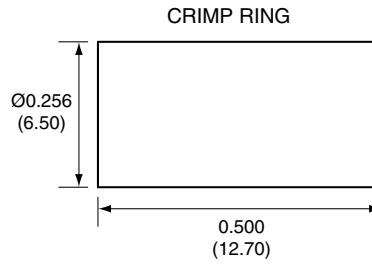
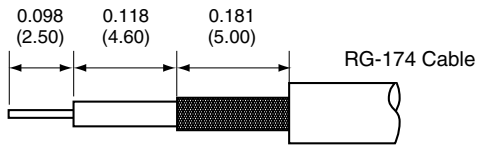


1		
Description	Material	Finish
Body	Brass	Nickel
Pin	BE CU	Gold
Insulation	Teflon	Teflon
Washer	PH Bronze	Nickel
Gasket	SI Rubber	Rubber
Crimp Ring	Brass	Nickel
Insulator	Teflon	Teflon
Cover	Brass	Nickel



RECOMMENDED CABLE STRIPPING DIMENSIONS



Title		CONNECTOR CITY	
SMA MALE RIGHT ANGLE		159 ORT LANE	
CABLE END CRIMP FOR RG58 CABLE		MERLIN, OR 97532	
Part No.	CONMA012-R58	Revision:	1.0
Dimensions:	INCHES (mm)	Date:	5/21/2007
		Sheet	1 of 1

**CONNECTOR CITY**  
THE VALUE OF CONNECTIONS