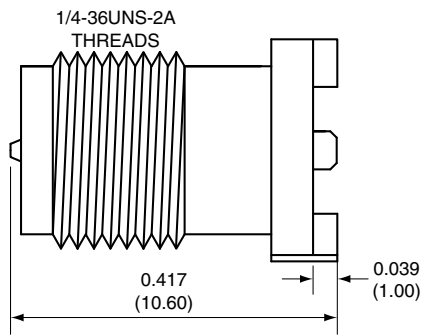
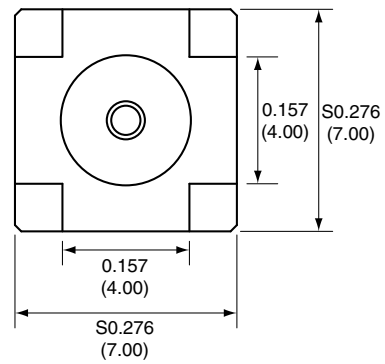


1		
Description	Material	Finish
Body	Brass	Nickel
Pin	BE CU	Gold
Insulation	Teflon	Teflon

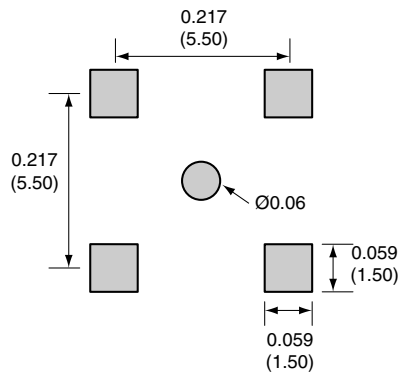
SIDE VIEW



BACK VIEW



RECOMMENDED FOOTPRINT



Title RP-SMA FEMALE PCB MOUNT SURFACE MOUNT		CONNECTOR CITY 159 ORT LANE MERLIN, OR 97532	
Part No. CONREVSMA001-SMD	Revision: 1.0	PH (541)-471-6256 FAX (541)-471-6251	
Dimensions: INCHES (mm)	Date: 5/31/2006	Sheet 1 of 1	

