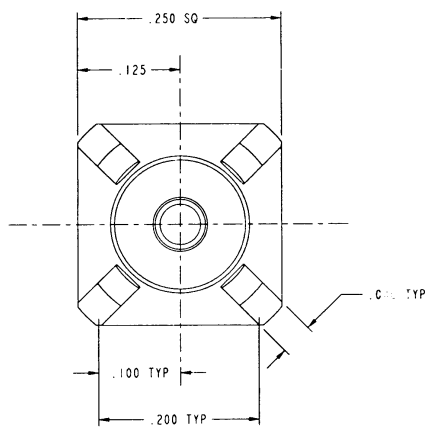
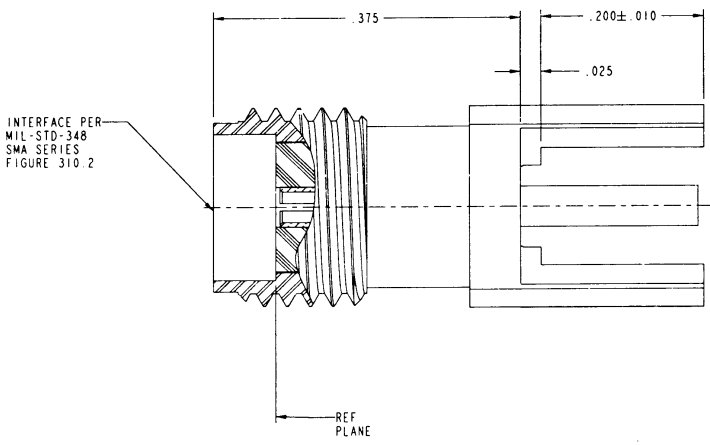


NOTES:

- 1. MATERIAL AND FINISH
 BODY --- STAINLESS STEEL, GOLD PLATED
 CONTACT --- BERYLLIUM COPPER, GOLD PLATED
 INSULATOR --- TFE FLUOROCARBON.

901-144-4		REVISIONS			
DRAWING NO.	REV	DESCRIPTION	DATE	ECO	APPR
THIRD ANGLE PROJ.	A	OFFICIAL ENG. RELEASE TO MFG.	6-17-91	38097	FSH
	E	SEE SHEET 1 FOR DETAILS	6-13-96	41423	RF



CUSTOMER OUTLINE DRAWING
 FOR REFERENCE ONLY

UNLESS OTHERWISE SPECIFIED, DIMENSIONS ARE IN INCHES AND TOLERANCES ARE: 2 PLACE DECIMAL ± .015 (0.381 mm) 3 PLACE DECIMAL ± .005 (0.127 mm) ANGLES ± .1°	MATERIAL	DRAWN R. PERCY	DATE 4-9-91	TITLE SMA (FEMALE) PCB RECEPTACLE	Amphenol Amphenol Corporation Communication and Network Products Division Danbury, CT U.S.A. 06810		
	NOTICE: These drawings, specifications, or other data (1) are, and remain the property of Amphenol Corp. (2) must be returned upon request, and (3) are confidential and not to be disclosed to any person other than those to whom they are given by Amphenol Corp. The furnishing of these drawings, specifications, or other data by Amphenol Corp., or to any other person for any purpose is not to be regarded by implication or otherwise in any manner licensing, granting rights or permitting such holder or any other person to manufacture, use or sell any product, process or design, patented or otherwise, that may in any way be related to or disclosed by said drawings, specifications, or other data.	REFERENCE MOTOROLA, CHICAGO GEN# ASSYF2.SMA	ENGINEER F. HULL	DATE 4-29-91		APPROVED DATE 6-13-96	SCALE: 8:0:1 SHEET: 2 OF 2
		CAD FILE I:\SMA\901-144-4		CODE ID 74868	DWG SIZE B	DRAWING NO. 901-144-4	REV E