

NOTES:

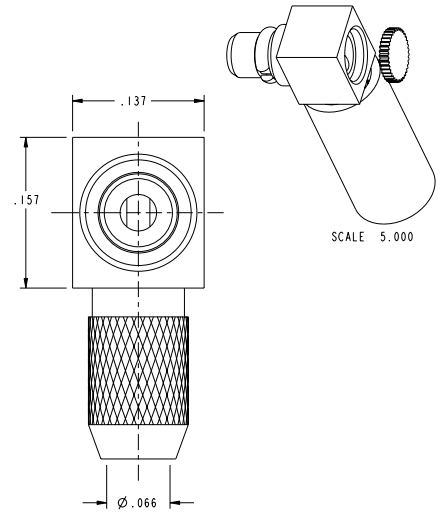
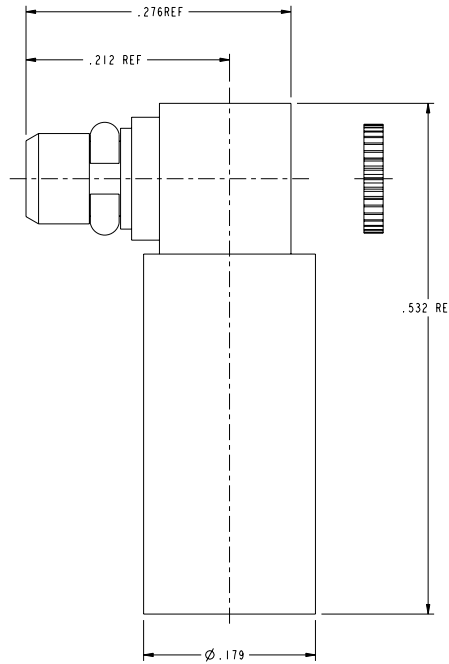
- DO NOT SCALE THIS DRAWING.
- MATERIAL AND FINISH:
 BODY: BRASS, GOLD PLATED
 CONTACT: BRASS, GOLD PLATED
 CAP: BRASS, GOLD PLATED
 FERRULE: ANNEALED COPPER, GOLD PLATED
 INSULATOR: PTFE
- USE ASSEMBLY INSTRUCTIONS 349-50598 AND CRIMP USING TOOL 227-944, DIE 227-1221-37 CAVITY "B" (.151 HEX).
- LEAD FREE SOLDER CENTER CONTACT.

908-43500

DRAWING NO. THIRD ANGLE PROJ.

REVISIONS

REV	DESCRIPTION	DATE	ECO	APPR
A	OFFICIAL ENG. RELEASE TO MFG.	6/6/95	40634	GT/RV
D	SEE SHEET I	11/17/99	43171	PB/TA
E	SEE SHEET I	9/7/05	45686	CPM
F	SEE SHEET I	3/29/06	45994	CPM



CUSTOMER OUTLINE DRAWING
 ALL OTHER SHEETS ARE FOR INTERNAL USE ONLY

UNLESS OTHERWISE SPECIFIED, DIMENSIONS ARE IN INCHES AND TOLERANCES ARE:
 2 PLACE DECIMAL ±.015 (0,381 mm)
 3 PLACE DECIMAL ±.005 (0,127 mm)
 ANGLES ± 1°

NOTICE - These drawings, specifications, or other data (1) are, and remain the property of Amphenol Corp., (2) must be returned upon request; and (3) are confidential and not to be disclosed to any person other than those to whom they are given by Amphenol Corp. The furnishing of these drawings, specifications, or other data by Amphenol Corp., or to any other person for any purpose is not to be regarded by implication or otherwise in any manner licensing, granting rights or permitting such holder or any other person to manufacture, use or sell any product, process or design, patented or otherwise, that may in any way be related to or disclosed by said drawings, specifications, or other data.

MATERIAL

REFERENCE
 EAR 966629 0
 EAR 964683 0
 GEN# ASSYM6_MMCX

DRAWN	B. GLEISSNER	DATE	18 MAY 96
ENGINEER	R. VACCARO	DATE	18 MAY 95
APPROVED	B. GLEISSNER	DATE	20 MAY 96

TITLE
 MMCX PLUG
 RIGHT ANGLE
 RD-316/U CABLE

Amphenol RF
 Danbury, CT, USA
 Tainan, Taiwan
 Shenzhen, China
www.amphenolrf.com

CAD FILE	1:\MMCX\908-43500	CODE ID	74868	DWG SIZE	B	DRAWING NO.	908-43500	SCALE: 10.0:1	SHEET 2 OF 2	REV	F
----------	-------------------	---------	-------	----------	---	-------------	-----------	---------------	--------------	-----	---