

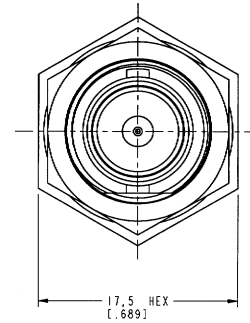
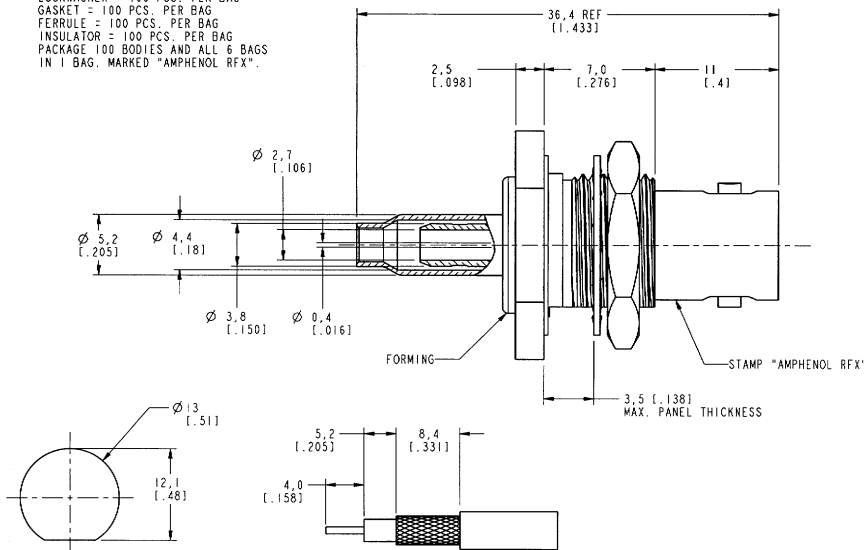
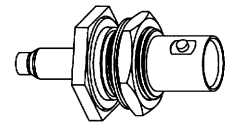
NOTES

- MATERIALS OF CONSTRUCTION:
HOUSING, BODY, BARREL, HEX NUT & FERRULE = BRASS (Q0-B-626), NICKEL PLATED
CONTACT PIN = PHOSPHOR BRONZE, GOLD PLATED
LOCKWASHER = BRASS (Q0-B-613), NICKEL PLATED
INSULATORS (2) = DELRIN
GASKET = SILICONE RUBBER, COLOR RED
- CRIMPED FERRULE = HEX CRIMP SIZE .178
HEX CRIMP SIZE FOR CENTER CONTACT .068
- BULKPACK AS FOLLOWS:
CONTACT PIN = 100 PCS. PER BAG
HEX NUTS = 100 PCS. PER BAG
LOCKWASHER = 100 PCS. PER BAG
GASKET = 100 PCS. PER BAG
FERRULE = 100 PCS. PER BAG
INSULATOR = 100 PCS. PER BAG
PACKAGE 100 BODIES AND ALL 6 BAGS
IN 1 BAG, MARKED "AMPHENOL RFX".

31-71016-RFXB

REVISIONS

DRAWING NO.	REV	DESCRIPTION	DATE	ECO	APPR
THIRD ANGLE PROJ.	A	RELEASE TO MFG.	1-4-01	43627	CPM



RECOMMENDED MOUNTING HOLE DIMENSIONS
SCALE 2.000

RECOMMENDED CABLE STRIPPING DIMENSIONS
SCALE 2.000

CUSTOMER OUTLINE DRAWING FOR REFERENCE ONLY

UNLESS OTHERWISE SPECIFIED, DIMENSIONS ARE IN INCHES AND TOLERANCES ARE:
0.5 - 6mm ±0.2mm
6 - 30mm ±0.4mm
30 - 120mm ±0.5mm

NOTICE - These drawings, specifications, or other data (1) are, and remain the property of Amphenol Corp. (2) must be returned upon request; and (3) are confidential and not to be disclosed to any person other than those to whom they are given by Amphenol Corp. The furnishing of these drawings, specifications, or other data by Amphenol Corp., or to any other person to anyone for any purpose is not to be regarded by implication or otherwise in any manner licensing, granting rights or permitting such holder or any other person to manufacture, use or sell any product, process or design, patented or otherwise, that may in any way be related to or disclosed by said drawings, specifications, or other data.

MATERIAL

REFERENCE
EAR 967677-1

DRAWN
C. McGRATH
DATE
11-Dec-00
ENGINEER
O. BARTHELME
DATE
11-Dec-00
APPROVED

DATE
12/19/00
CAD FILE
I:\BNC\31-71016-RFXB

TITLE
BNC BULKHEAD
CRIMP JACK
BULKPACK 100 PCS.

Amphenol
Amphenol Corporation
Communication and Network
Products Division
Danbury, CT U.S.A. 06810

SCALE: 3.0:1	SHEET 2 OF 2	REV A
CODE ID 74868	DWG SIZE B	DRAWING NO. 31-71016-RFXB