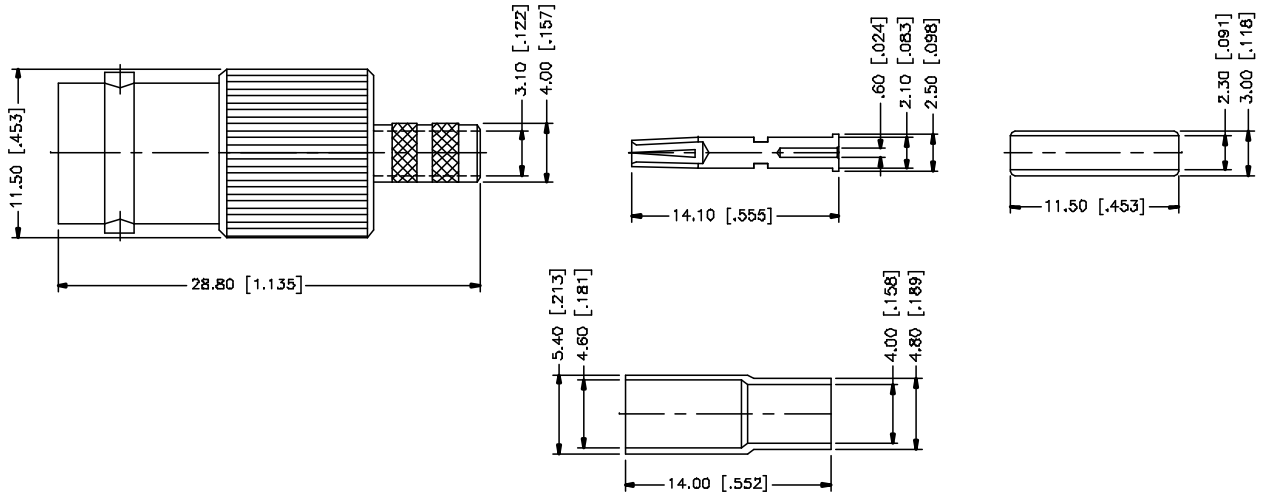
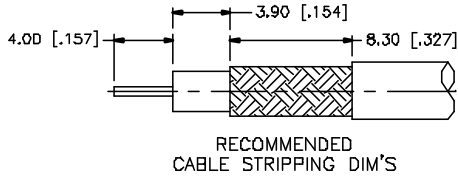


REV.	DATE	DESCRIPTION
NC	03/08/05	UPDATE DRAWING FORMAT



CRIMP NOTES:

1. CRIMPED FERRULE  
HEX CRIMP SIZE .187"
2. CRIMPED CONTACT PIN  
HEX CRIMP SIZE .068"

				APPROVALS	DATE	<b>Amphenol Connex</b>
8				DRAWN G.R.S.	03/08/05	
7				CHECKED		PART NO. <b>112638</b>
6				ISSUED		
5	FERRULE	COPPER	NICKEL	1	SHEET 1 OF 1	REV. NC
4	SLEEVE	DELFIN	NATURAL	1		SIZE A
3	INSULATOR	DELFIN	NATURAL	1		SCALE NA
2	CONTACT PIN	PHOS. BRONZE	GOLD	1		
1	HOUSING/BODY	BRASS	NICKEL	1		
	DESCRIPTION	MATERIAL	FINISH	QTY	CAD FILE C:/112/112638.DWG	

UNLESS OTHERWISE SPECIFIED DIMENSIONS ARE IN MILLIMETERS. DIMENSIONS IN [ ] ARE IN INCHES AND FOR CUSTOMER REFERENCE ONLY.

UNLESS OTHERWISE SPECIFIED TOLERANCES FOR MILLIMETERS ARE:  
0.5 - 30mm ± 0.20mm  
3 - 30mm ± 0.40mm  
30 - 120mm ± 0.50mm

UNLESS OTHERWISE SPECIFIED TOLERANCES FOR INCHES ARE:  
.020 - .310 ± 0.007"  
.315 - 1.180 ± 0.015"  
1.180 - 4.724 ± 0.020"

DO NOT SCALE DRAWING