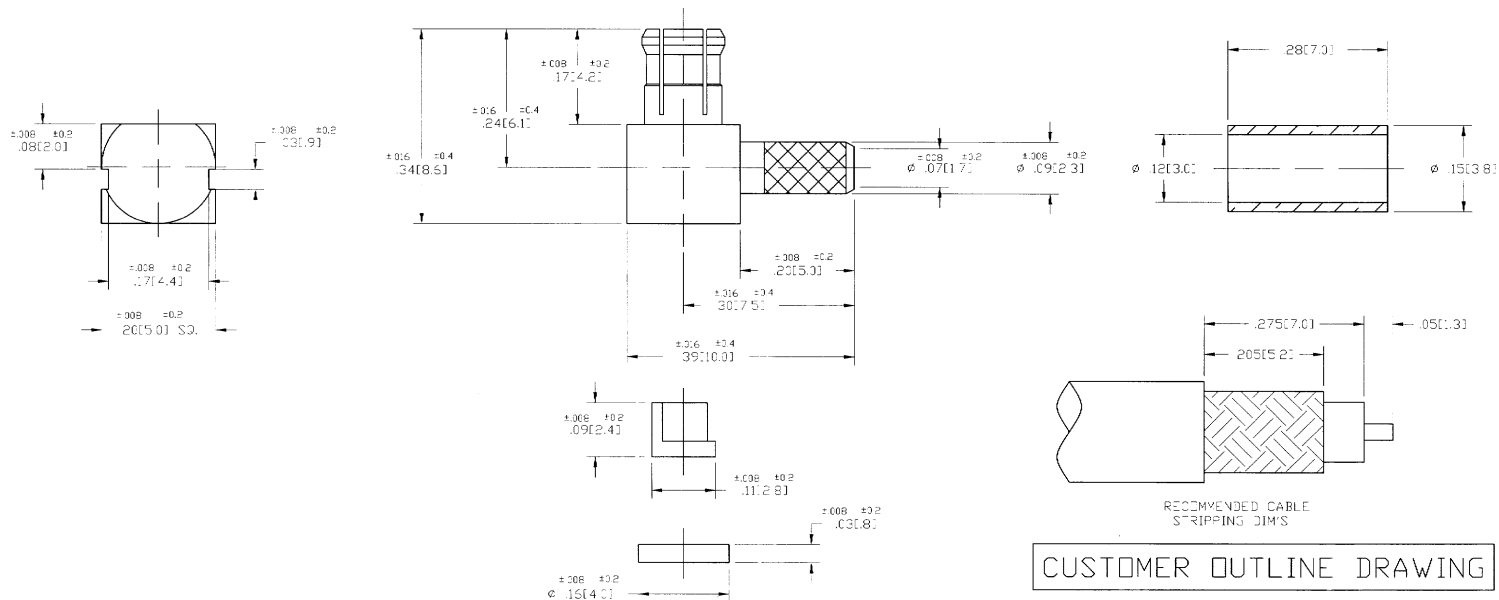


NOTES:

- MATERIALS OF CONSTRUCTION
 HCUSING = BRASS (00-B-626), GOLD PLATED.
 BODY = BERYLLIUM COPPER, GOLD PLATED.
 CONTACT PIN = BRASS (00-B-626), GOLD PLATED.
 COVER = BRASS (20-B-613), GOLD PLATED.
 FERRULE = COPPER, GOLD PLATED.
 INSULATOR = DELRIN, NATURAL.
 INSULATOR = PTFE MIL-P-19468
- DO NOT SCALE THIS DRAWING.
- UNLESS OTHERWISE SPECIFIED, ALL DIMENSIONS ARE AFTER PLATING.

919-104P-51AX

DRAWING NO.	REV	DESCRIPTION	DATE	ECO	APPR
THRD ANGLE PROJ:	A	RELEASE TO MFG.	7/26/99	43080	CPM/TA
	B	REVISE CABLE STRIPPING DIMENSIONS	11/30/00	43615	PB/RA



CUSTOMER OUTLINE DRAWING

UNLESS OTHERWISE SPECIFIED, DIMENSIONS ARE IN INCHES AND TOLERANCES ARE:
 2 PLACE DECIMAL ±0.01 (0.254 mm)
 3 PLACE DECIMAL ±0.005 (0.127 mm)
 ANGLES ±1°

NOTICE - These drawings, specifications, or other data (1) are, and remain the property of Amphenol Corp. (2) must be returned upon request, and (3) are confidential and not to be disclosed to any person other than those to whom they are given by Amphenol Corp. The furnishing of these drawings, specifications, or other data by Amphenol Corp. to any other person for any purpose is not to be regarded by implication or otherwise in any manner licensing, granting rights or permitting such holder or any other person to manufacture, use, sell, copy, produce, improve or design, produce or otherwise, that may in any way be related to or disclosed by said drawings, specifications, or other data.

MATERIAL	DRAWN	DATE
REF: 967292-0	C. McGRATH	7/15/99
	ENGINEER	DATE
	T. ALBEIN	7/15/99
	APPROVED	DATE
	T. ALBEIN	7/24/99
	CAD FILE	
	HAPELENMCKX\919\ASD\134\AS1AX0300	

TITLE	COPIES	DWG SIZE	DRAWING NO.
MCX R/A CRIMP PLUG	74868	B	919-104P-51AX

Amphenol	
Amphenol Corporation RF/Microwave Operations Danbury, Conn., U.S.A. 06810	
SCALE: 5:1	SHEET 2 OF 2
REV	B