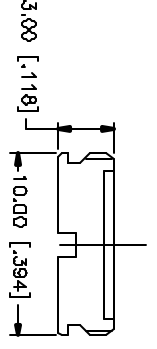
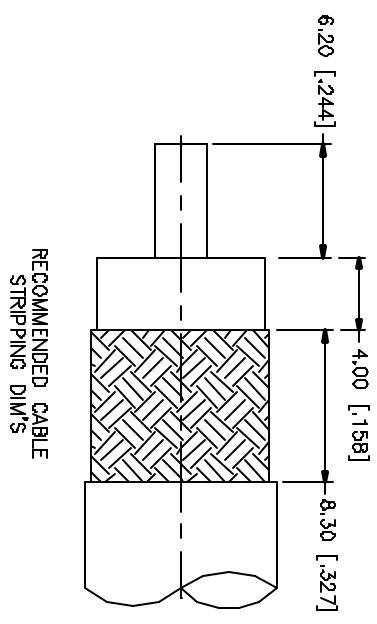
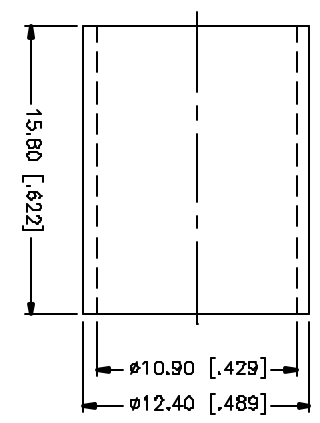
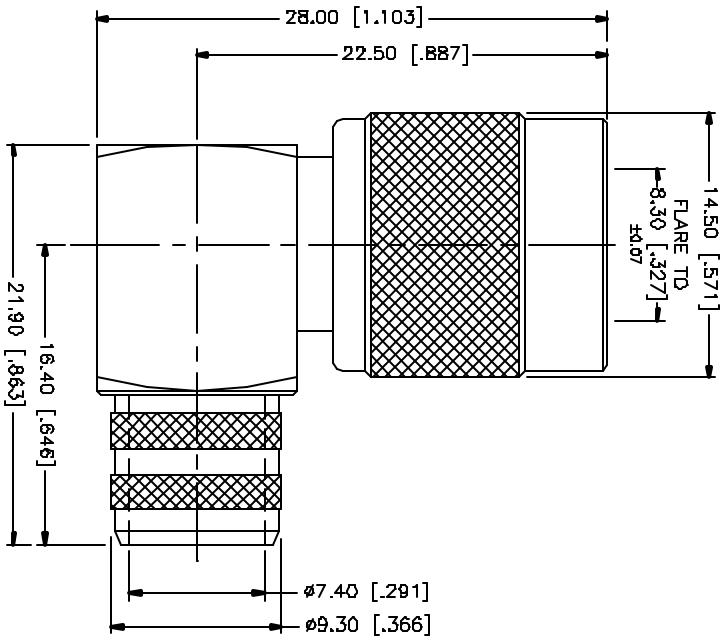


REV.	DATE	DESCRIPTION
NC	01/09/05	INITIAL RELEASE



- NOTES:
1. CRIMPED FERRULE HEX SIZE .429"
  2. SOLDER CENTER CONTACT.

DESCRIPTION	MATERIAL	FINISH	QTY	UNLESS OTHERWISE SPECIFIED DIMENSIONS ARE IN MILLIMETERS FOR DIMENSIONS IN SQUARE BRACKETS AND IN INCHES FOR DIMENSIONS IN PARENTHESES. TOLERANCES FOR DIMENSIONS ARE:	APPROVALS	DATE	PART DESCRIPTION						
8				0.5 - 8mm ± 0.20mm	DRAWN G.R.S.	01/09/05	TNC R/A CRIMP PLUG (FOR RG8 AND RG213/U CABLE)						
7				Δ - 30mm ± 0.40mm									
5	COVER	BRASS	1	3D - 120mm ± 0.50mm	CHECKED								
4	FERRULE	COPPER	1	UNLESS OTHERWISE SPECIFIED DIMENSIONS FOR HEX ARE:	DESIGN								
3	CONTACT PIN	BRASS	1	.020 - .315 ± ± 0.007"	SHEET	1 OF 1							
2	INSULATOR	TEFLON	1	.315 - 1.180 ± ± 0.015"	CAD FILE								
1	BODY	BRASS	1	1.180 - 4.724 ± ± 0.020"	C:/122/122502.DWG								
DESCRIPTION				MATERIAL	FINISH	QTY	DWG. NO.	REV.	NC	SIZE	A	SCALE	NA

**Amphenol Connex**