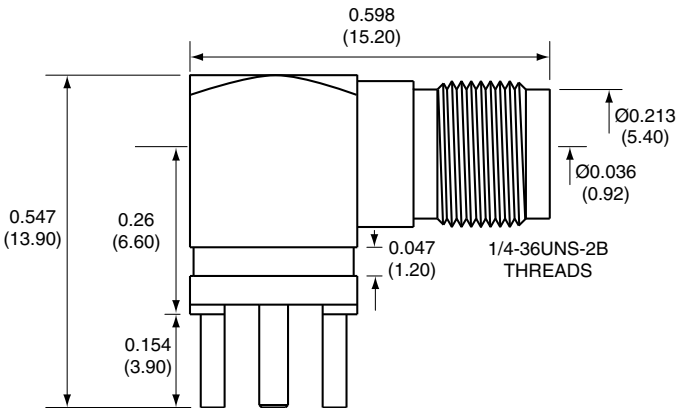
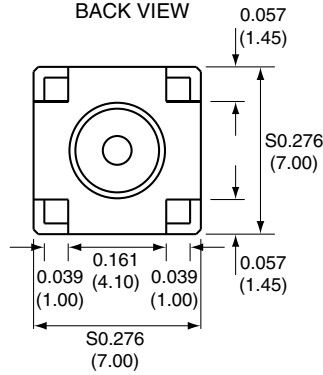


1		
Description	Material	Finish
Body	Brass	Nickel
Socket	BE CU	Gold
Insulation	Teflon	Teflon

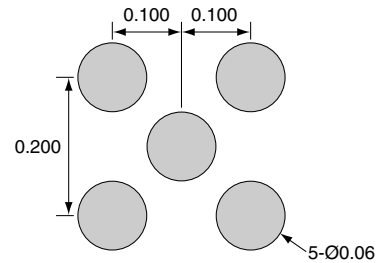
SIDE VIEW



BACK VIEW



RECOMMENDED FOOTPRINT



Title		SMA FEMALE RIGHT ANGLE PCB MOUNT		CONNECTOR CITY 159 ORT LANE MERLIN, OR 97532	
Part No.	CON SMA002	Revision:	1.2	PH (541)-471-6256 FAX (541)-471-6251	
Dimensions:	INCHES (mm)	Date:	8/19/2008	Sheet 1 of 1	

