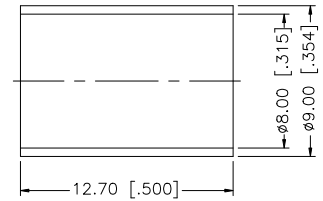
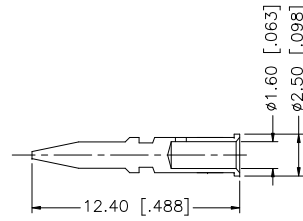
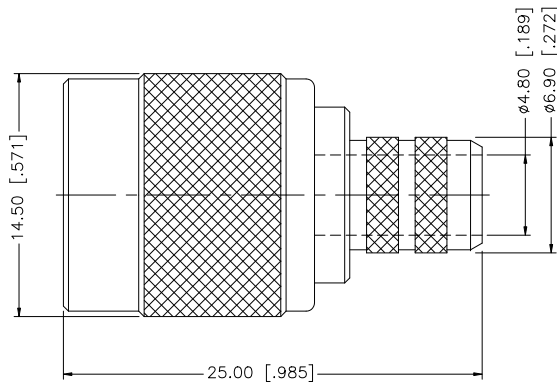
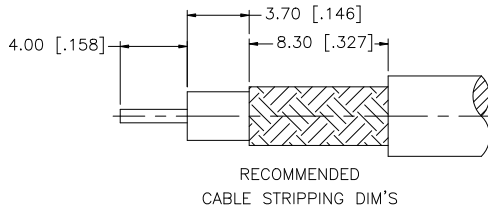


REV.	DATE	DESCRIPTION
A	11/20/97	ADD CENTER CONTACT
B	07/19/07	UPDATE DRAWING FORMAT



8				<small>UNLESS OTHERWISE SPECIFIED DIMENSIONS ARE IN MILLIMETERS. DIMENSIONS IN [] ARE IN INCHES AND FOR CUSTOMER REFERENCE ONLY.</small> <small>UNLESS OTHERWISE SPECIFIED TOLERANCES FOR MILLIMETERS ARE:</small> 0.5 - 8mm ± 0.20mm 8 - 30mm ± 0.40mm 30 - 120mm ± 0.50mm <small>UNLESS OTHERWISE SPECIFIED TOLERANCES FOR INCHES ARE:</small> .020 - .315 = ± 0.007" .315 - 1.180 = ± 0.015" 1.180 - 4.724 = ± 0.020"	APPROVALS	DATE	<h1 style="color: blue;">Amphenol Connex</h1>			
7			DRAWN		G.R.S.	07/19/07		PART DESCRIPTION		
6			CHECKED							
5			ISSUED							
4			SHEET		1 OF 1			PART NO.		
3	CONTACT PIN	PHOS. BRONZE	GOLD		1				122390	
2	INSULATOR	TEFLON	NATURAL		1				TNC CRIMP PLUG RG-6/U CABLE, 75ohm	
1	BODY	BRASS	NICKEL		1					
	DESCRIPTION	MATERIAL	FINISH	QTY	DO NOT SCALE DRAWING	CAD FILE	DWG. NO.	REV.	SIZE	SCALE
						C:/122/122390.DWG	122390.DWG	B	A	NA