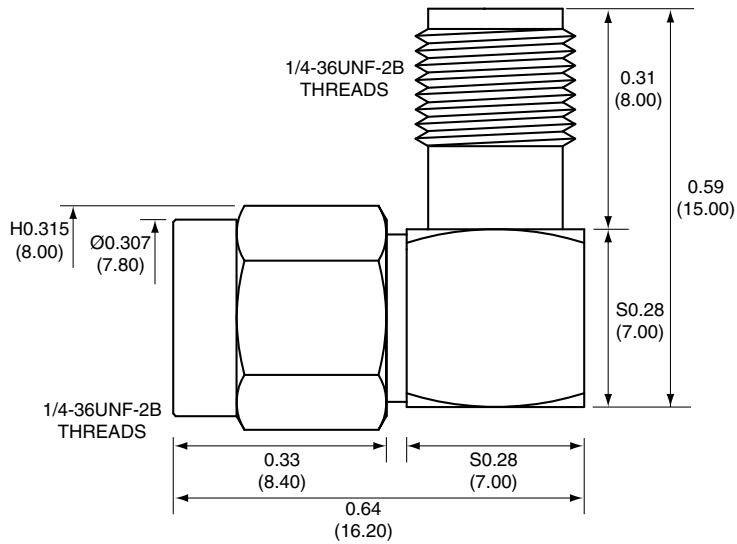


1		
Description	Material	Finish
Body	Brass	Nickel
Pin	PH Bronze	Gold
Insulation	Teflon	Teflon
Gasket	SI Rubber	Rubber
Washer	PH Bronze	Nickel

SIDE VIEW



Title SMA MALE TO SMA FEMALE RIGHT ANGLE ADAPTOR		CONNECTOR CITY 159 ORT LANE MERLIN, OR 97532
Part No. CONSMA010	Revision: 1.0	PH (541)-471-6256 FAX (541)-471-6251
Dimensions: INCHES (mm)	Date: 6/2/2006	Sheet 1 of 1

**CONNECTOR CITY**  
THE VALUE OF CONNECTIONS