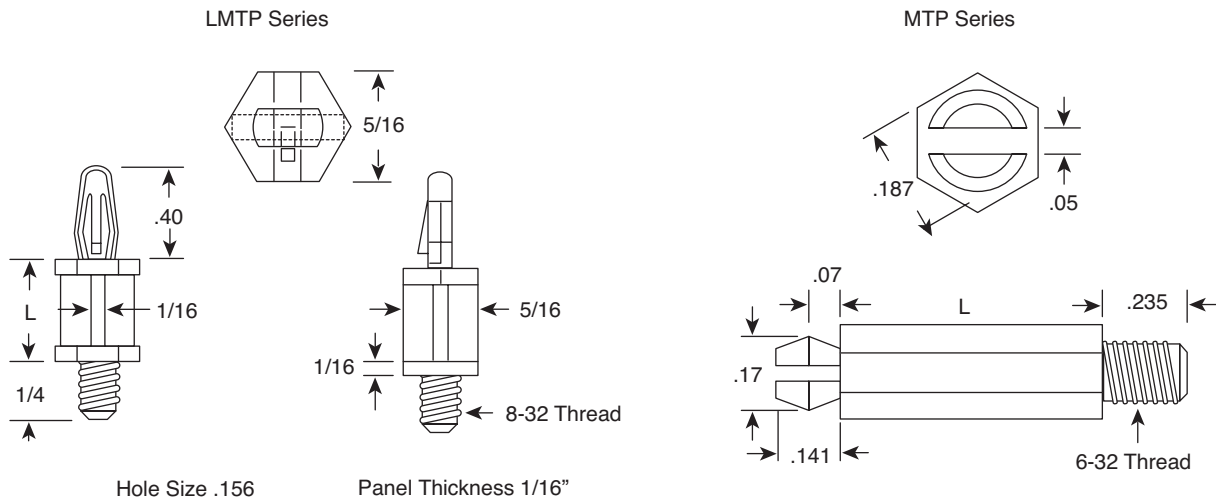


Male PCB Support Posts

561-LMTP250, 561-LMTP375, 561-LMTP500,
561-LMTP625, 561-LMTP750, 561-LMTP1000,
561-MTP125

Date Last Revised: 06-18-07



Dimensions: in.

Mouser Stock No.	"L" (in.)
561-LMTP250:	0.250 (± .015)
561-LMTP375:	0.375 (± .015)
561-LMTP500:	0.500 (± .015)
561-LMTP625:	0.625 (± .015)
561-LMTP750:	0.750 (± .015)
561-LMTP1000:	1.000 (± .015)
561-MTP125:	0.125 (± .015)
RoHS Compliant	

Available from Mouser Electronics
1-800-346-6873 / www.mouser.com

EPD-200670

Specifications are subject to change without notice. No liability or warranty implied by this information. Environmental compliance based on producer documentation.