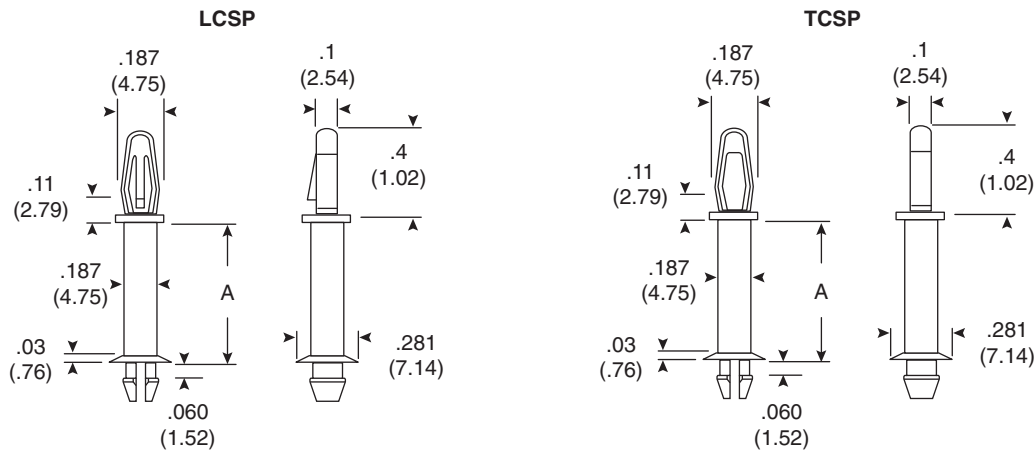


PCB Support

561-LCSP125, 561-LCSP250, 561-LCSP312, 561-LCSP375, 561-LCSP437, 561-LCSP500, 561-LCSP625, 561-LCSP750, 561-LCSP875, 561-LCSP1000, 561-TCSP125, 561-TCSP250, 561-TCSP312, 561-TCSP375, 561-TCSP437, 561-TCSP500, 561-TCSP625, 561-TCSP750, 561-TCSP875, 561-TCSP1000

Date Last Revised: 05-19-10



Dimensions: in. (mm)

- Spring end fits .156" hole
- Lock or tension end fits .156" hole
- Panel thickness 1/16"

SPECIFICATIONS

Mouser Num.	Description	A in. (mm)	Mouser Num.	Description	A in. (mm)
561-LCSP125	LCSP125	.125 (3.175)	561-TCSP125	TCSP125	.125 (3.175)
561-LCSP250	LCSP250	.25 (6.35)	561-TCSP250	TCSP250	.25 (6.35)
561-LCSP312	LCSP312	.312 (7.93)	561-TCSP312	TCSP312	.312 (7.93)
561-LCSP375	LCSP375	.375 (9.53)	561-TCSP375	TCSP375	.375 (9.53)
561-LCSP437	LCSP437	.437 (11.1)	561-TCSP437	TCSP437	.437 (11.1)
561-LCSP500	LCSP500	.5 (12.7)	561-TCSP500	TCSP500	.5 (12.7)
561-LCSP625	LCSP625	.625 (15.88)	561-TCSP625	TCSP625	.625 (15.88)
561-LCSP750	LCSP750	.75 (19.05)	561-TCSP750	TCSP750	.75 (19.05)
561-LCSP875	LCSP875	.875 (22.25)	561-TCSP875	TCSP875	.875 (22.25)
561-LCSP1000	LCSP1000	1 (25.4)	561-TCSP1000	TCSP1000	1 (25.4)

Available from Mouser Electronics
1-800-346-6873 / www.mouser.com

EPD-200451

Specifications are subject to change without notice. No liability or warranty implied by this information. Environmental compliance based on producer documentation.