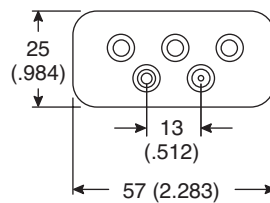
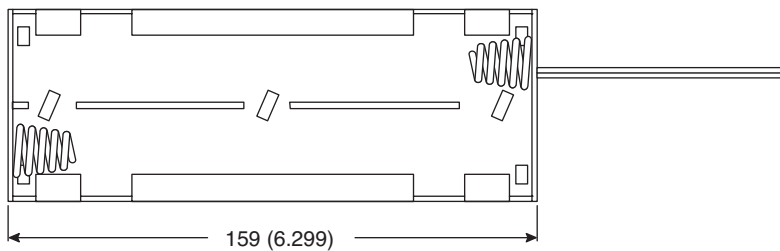
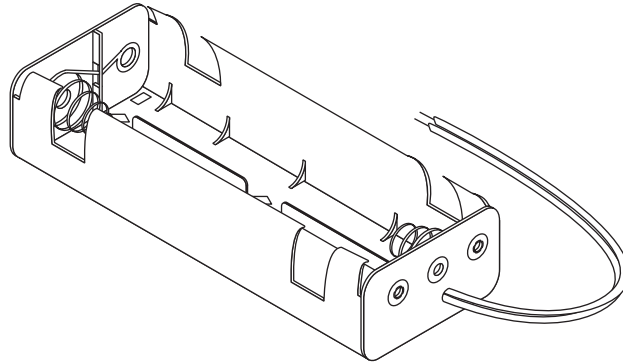


Date Last Revised: 6-6-07



Dimensions: mm (in.)

SPECIFICATIONS	
Holds:	6 "C" cells
Body:	PP Resin
Spring:	0.8mm 65c spring wire
Color:	Black
Leads:	24AWG wire 6"
RoHS Compliant	

Available from Mouser Electronics
1-800-346-6873 / www.mouser.com

EPD-200563

Specifications are subject to change without notice. No liability or warranty implied by this information. Environmental compliance based on producer documentation.