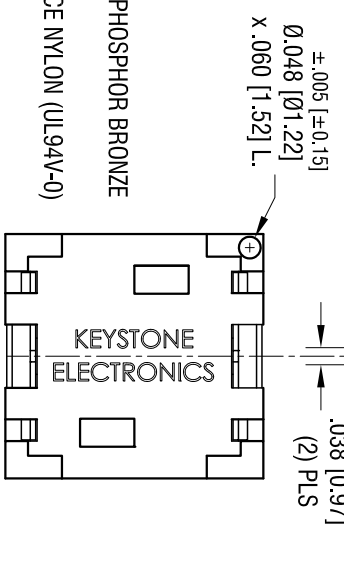
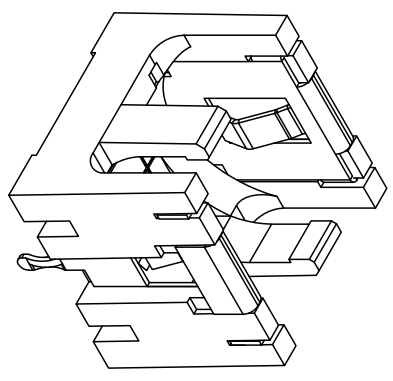
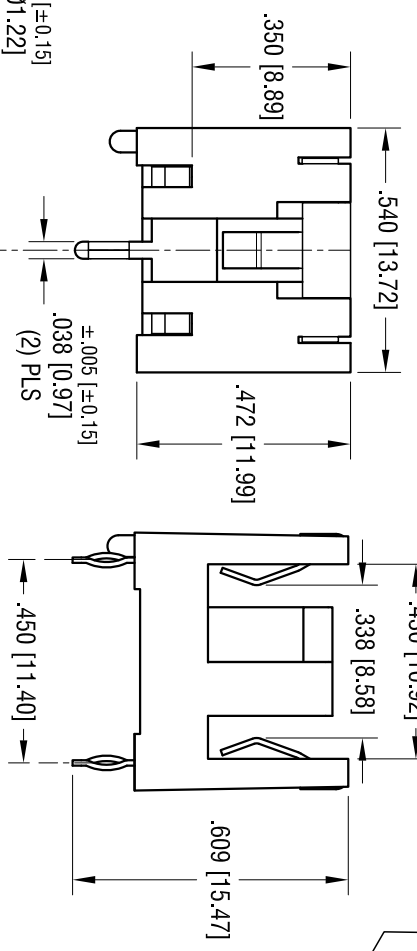
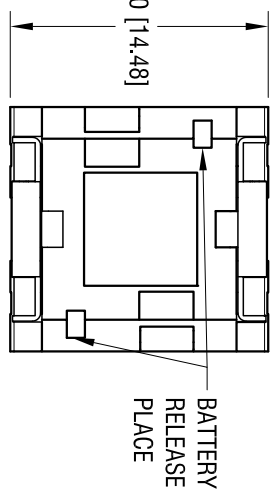
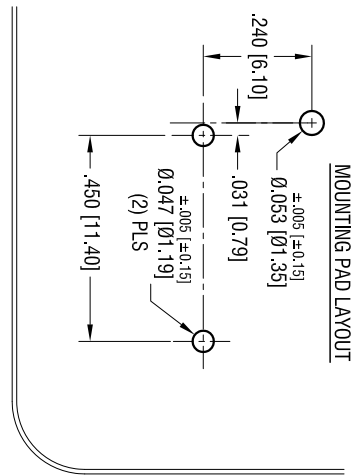


MOUNTING PAD LAYOUT



- NOTE:**
1. CONTACT: MAT'L - .012 [0.30] THK PHOSPHOR BRONZE
FINISH - TIN PLATE
 2. HOUSING: MAT'L - HEAT RESISTANCE NYLON (UL94V-0)

THIS DOCUMENT IS THE PROPERTY OF KEYSTONE ELECTRONICS CORP. AND SHALL NOT BE REPRODUCED, DISTRIBUTED OR USED IN ANY MANNER WITHOUT WRITTEN PERMISSION FROM KEYSTONE ELECTRONICS CORP.

KEYSTONE ELECTRONICS CORP.			
www.keystone.com • ASTORIA, N.Y. 11105-2017 • Tel (718) 956-8900			
PART NAME 1/3 N HORIZONTAL PC HOLDER			
MATERIAL AS NOTED			
FINISH AS NOTED		DRN BY NT	
TOLERANCES DECIMAL ± .010 [± 0.25] ANGULAR ± 1°		DATE 4.27.10	
UNLESS OTHERWISE SPECIFIED		CODE C	DWG NO. 503
		APPD	SCALE 3X

DATE	DESCRIPTION	REV.