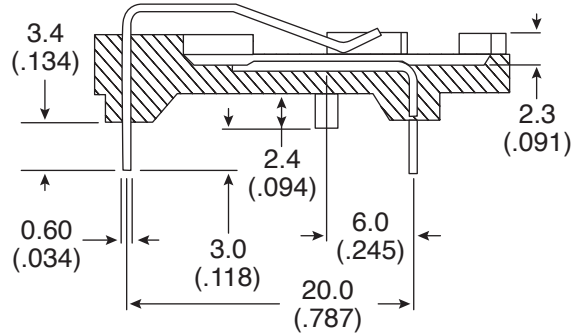
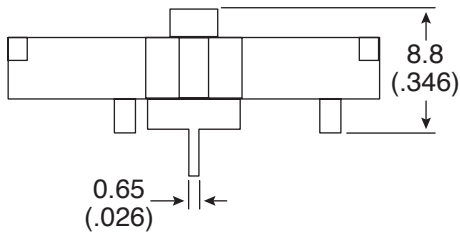
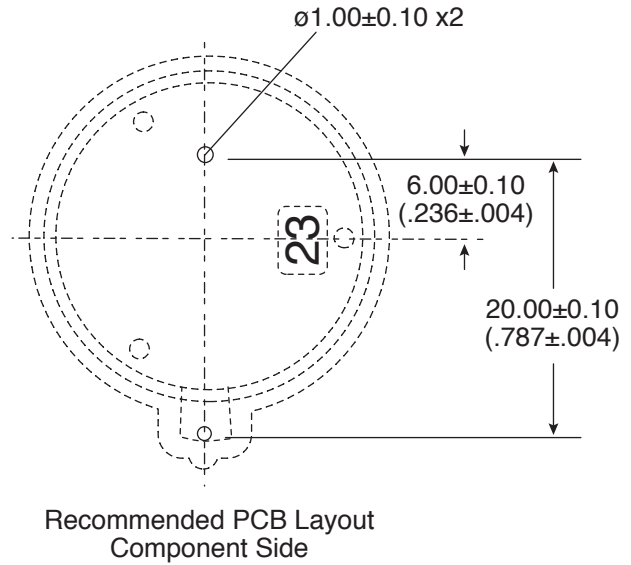
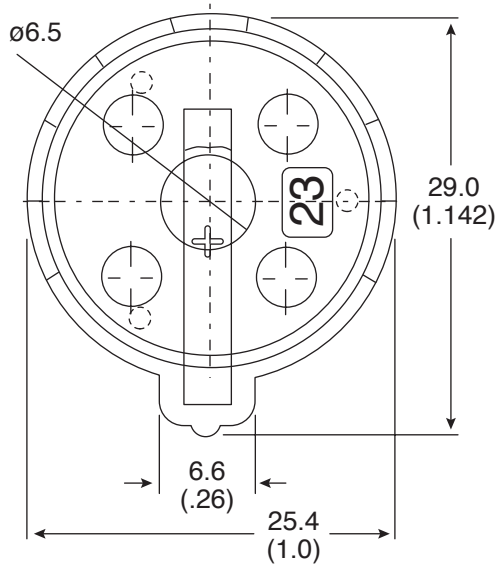


Date Last Revised: 2-22-06



Dimensions: mm (In.)

MATERIALS

Housing:	PBT 30% GF UL94V-0
Contact:	Phosphor bronze
Plating:	Tin 100 μ " , Ni 80 μ "
RoHS Compliant	

Available from Mouser Electronics
 1-800-346-6873
www.mouser.com

EPD-200407