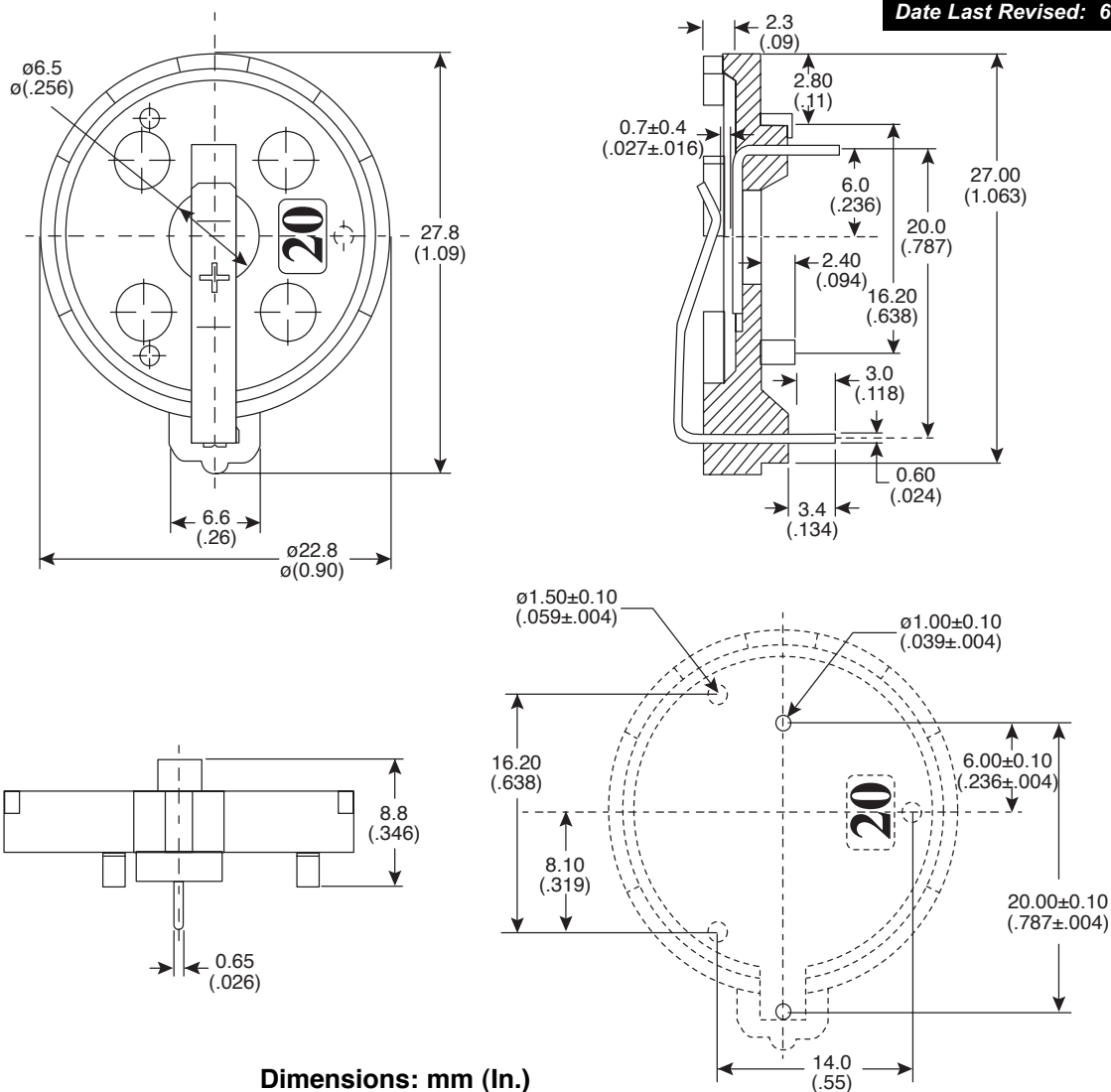


Date Last Revised: 6-21-06



Dimensions: mm (In.)

MATERIALS

Housing:	PBT 30% GF UL94V-0
Contact	Phosphor Bronze, C5191R-H T=0.6mm
Flash:	0.25mm Max.
Camber:	0.13mm Max.
Warp:	0.13mm Max.
Color:	Black
Plating:	Tin 100u" min over Ni 80u" Min.
Operating Temperature:	-40°C to +105°C
RoHS Compliant	

Available from Mouser Electronics
1-800-346-6873
www.mouser.com

EPD-200424