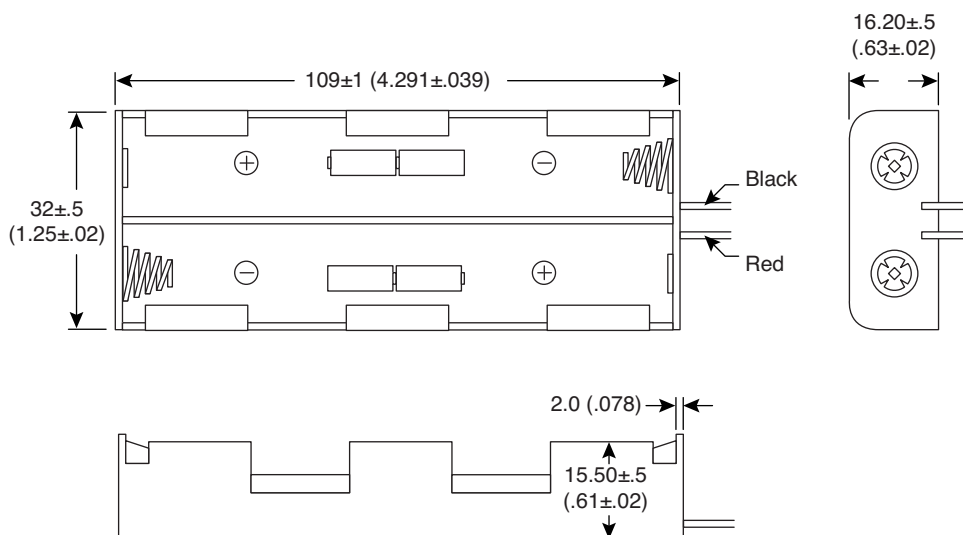


4 "AA" Battery Holder with Leads

12BH343-GR

Date Last Revised: 06/18/07



Dimensions: mm (in.)

SPECIFICATIONS	
Wire:	AWG #26, Black and Red - $150\text{mm} \pm 5\text{mm}$, Strip and Tin - $5\text{mm} \pm 1\text{mm}$
Material:	PP Resin, Black Color
Springs:	0.7mm 65C Spring Wire
RoHS Compliant	

Available from Mouser Electronics
1-800-346-6873 / www.mouser.com

EPD-200650

Specifications are subject to change without notice. No liability or warranty implied by this information. Environmental compliance based on producer documentation.