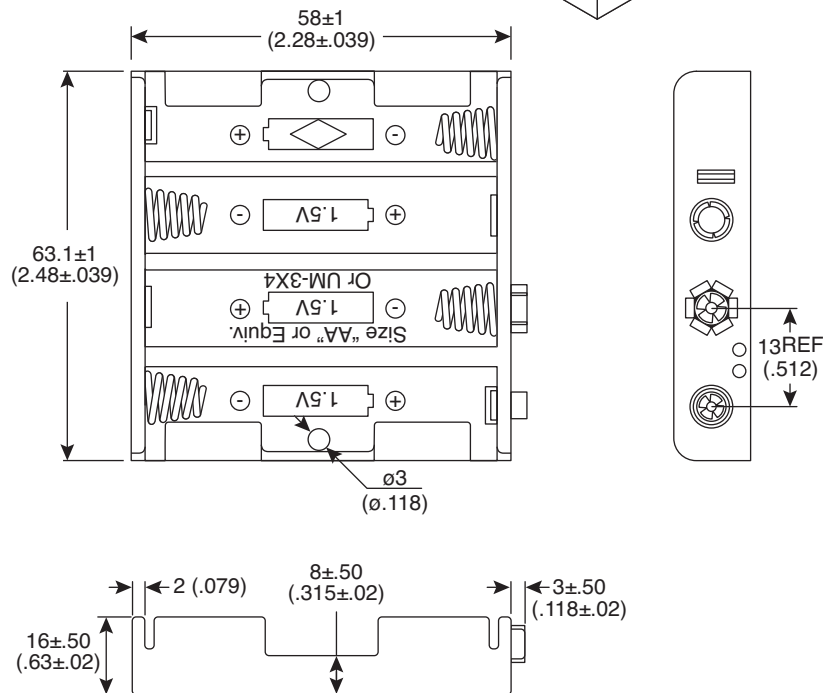
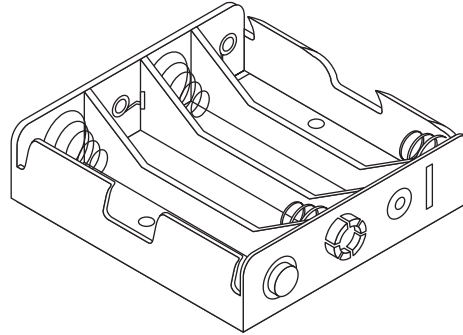


4 "AA" Battery Holder with Snaps

12BH347-GR

Date Last Revised: 11/24/09



Dimensions: mm (in.)

SPECIFICATIONS

Spring:	0.7mm 65C Spring Wire
Body Material:	PP Resin
Color:	Black
RoHS Compliant	

Available from Mouser Electronics
1-800-346-6873 / www.mouser.com

EPD-200629

Specifications are subject to change without notice. No liability or warranty implied by this information. Environmental compliance based on producer documentation.