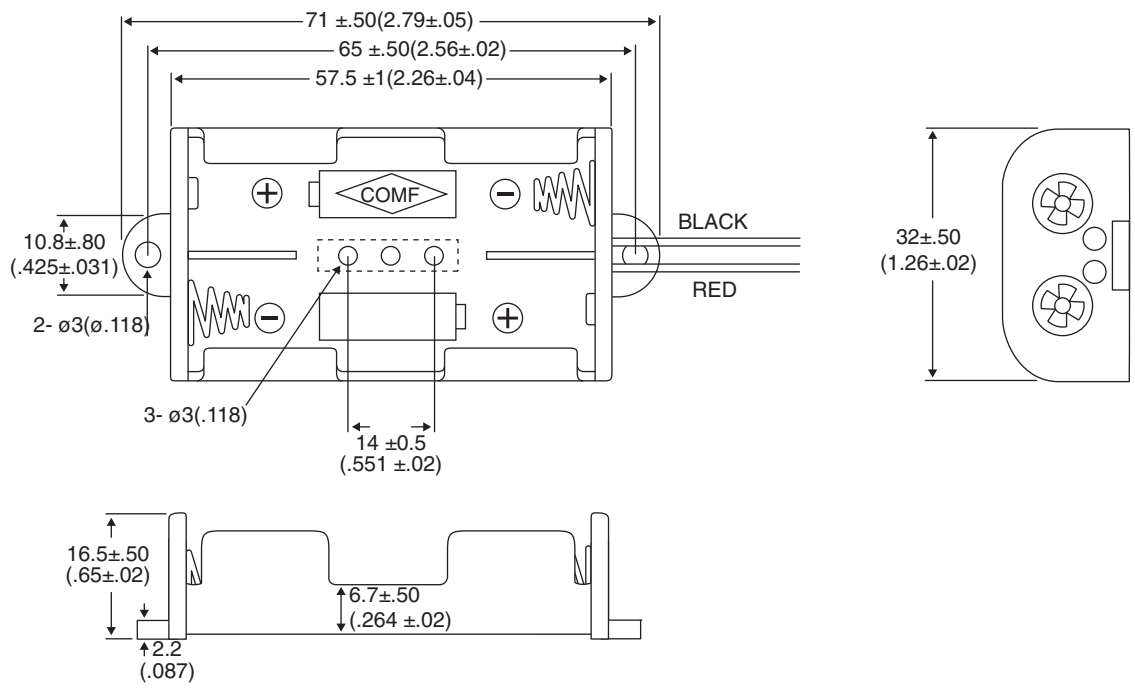


Date Last Revised: 5-21-10



Dimensions: mm (in.)

SPECIFICATIONS	
Material:	PP Resin, Black Color
Wire:	AWG#26 Black & Red 150mm ±5mm Strip & Tin 4mm ±1mm
Spring:	0.64mm 65C Spring Wire
RoHS Compliant	

Available from Mouser Electronics
1-800-346-6873 / www.mouser.com

EPD-200590

Specifications are subject to change without notice. No liability or warranty implied by this information. Environmental compliance based on producer documentation.