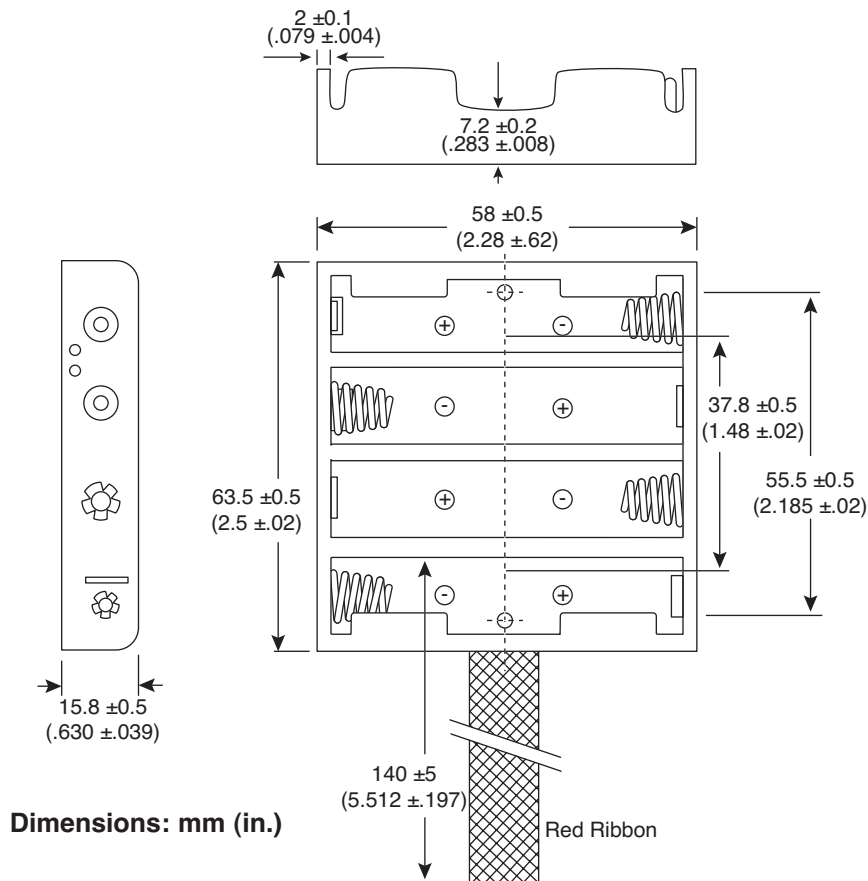
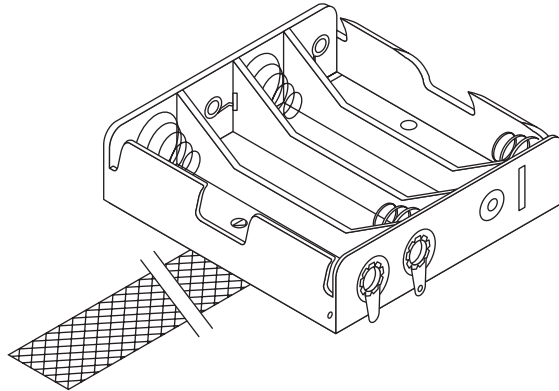


Date Last Revised: 6-6-07



SPECIFICATIONS

Holds:	4 "AA" Cells
Termination:	Solder Lugs
Body:	PP Resin
Spring:	0.7mm 65C Spring Wire
Color:	Black
RoHS Compliant	

Available from Mouser Electronics
1-800-346-6873 / www.mouser.com

EPD-200571

Specifications are subject to change without notice. No liability or warranty implied by this information. Environmental compliance based on producer documentation.