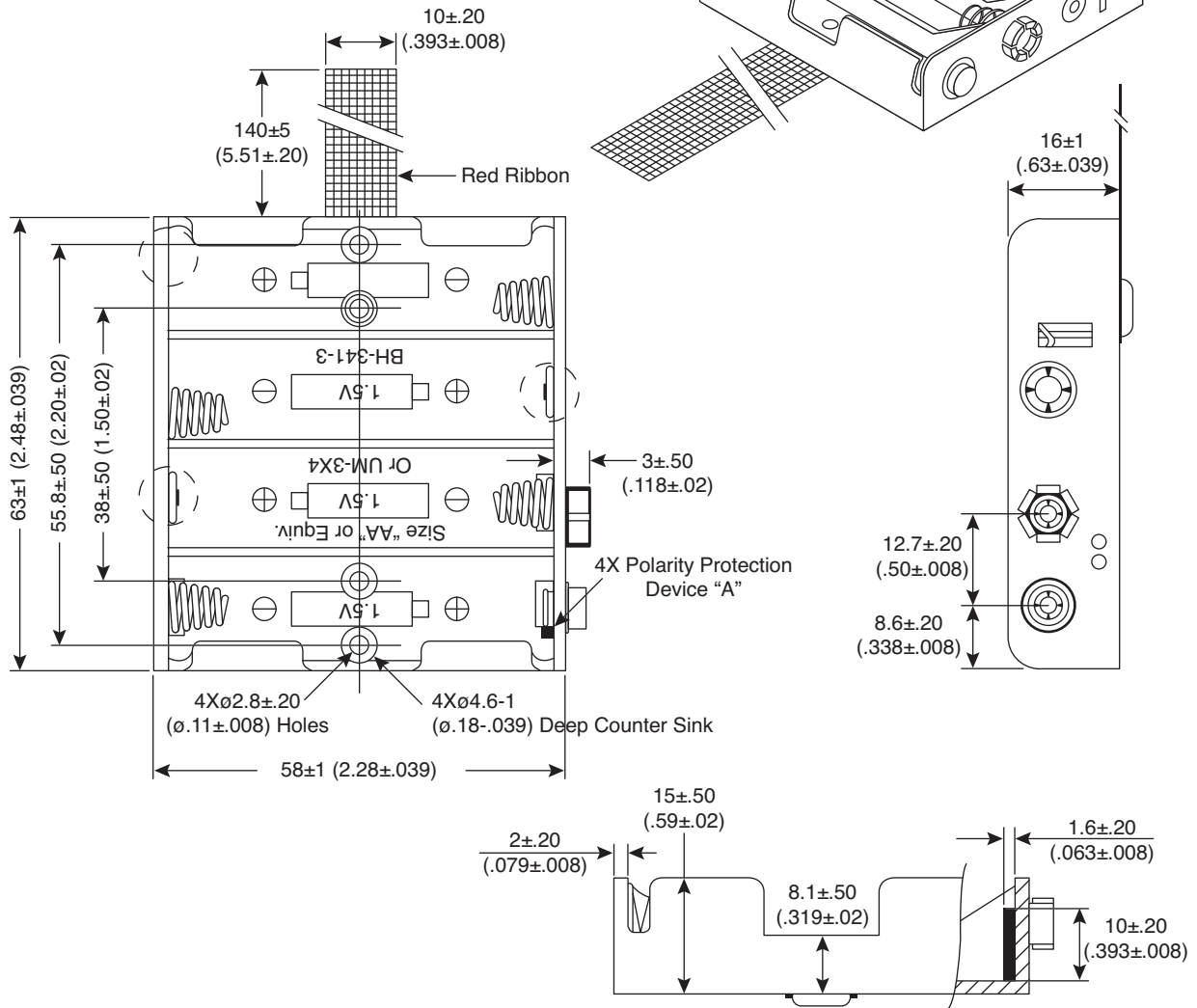


Date Last Revised: 12/9/09

Dimensions: mm (in.)



## SPECIFICATIONS

<b>Body Material:</b>	PP Resin
<b>Spring:</b>	0.7mm 65C Spring Steel Nickel Plated
<b>Color:</b>	Black
RoHS Compliant	

Available from Mouser Electronics  
1-800-346-6873 / [www.mouser.com](http://www.mouser.com)

EPD-200572

Specifications are subject to change without notice. No liability or warranty implied by this information. Environmental compliance based on producer documentation.