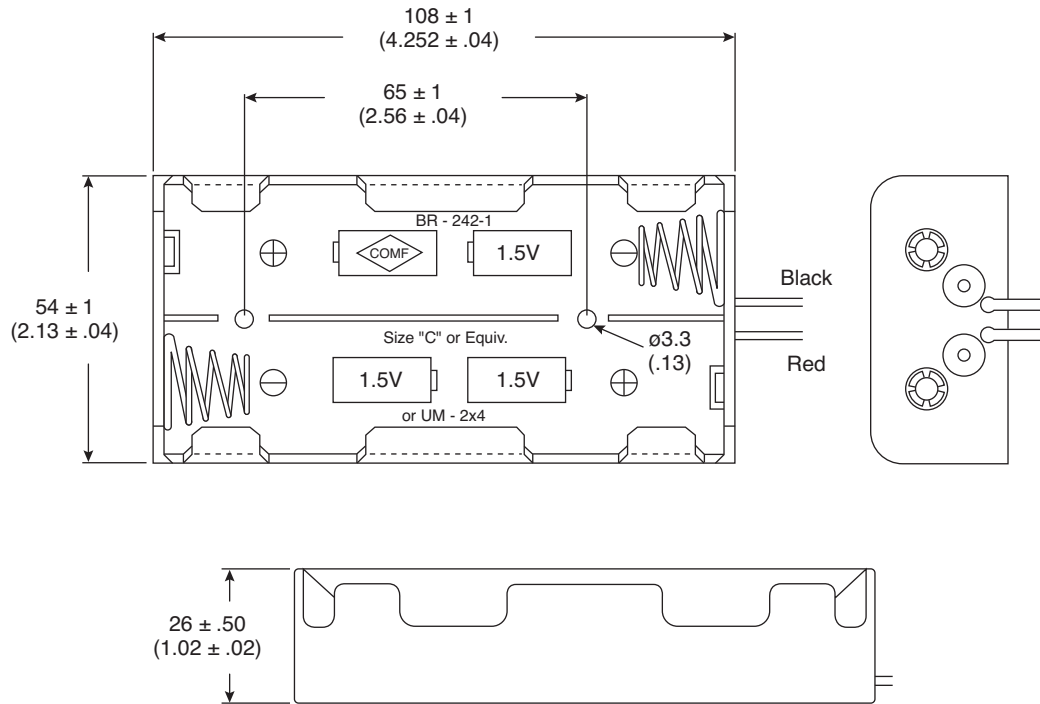


Date Last Revised: 11/7/08



Dimensions: mm (In.)

SPECIFICATIONS	
Wire:	AWG #22
	Black & Red 203mm ± 5 mm
	Strip & Tin 4mm ± 1 mm
Material:	PP Resin, Black Color
Spring:	0.8mm 65C Spring Wire
RoHS Compliant	

**Available from Mouser Electronics
1-800-346-6873 / www.mouser.com**

EPD-200588

Specifications are subject to change without notice. No liability or warranty implied by this information. Environmental compliance based on producer documentation.