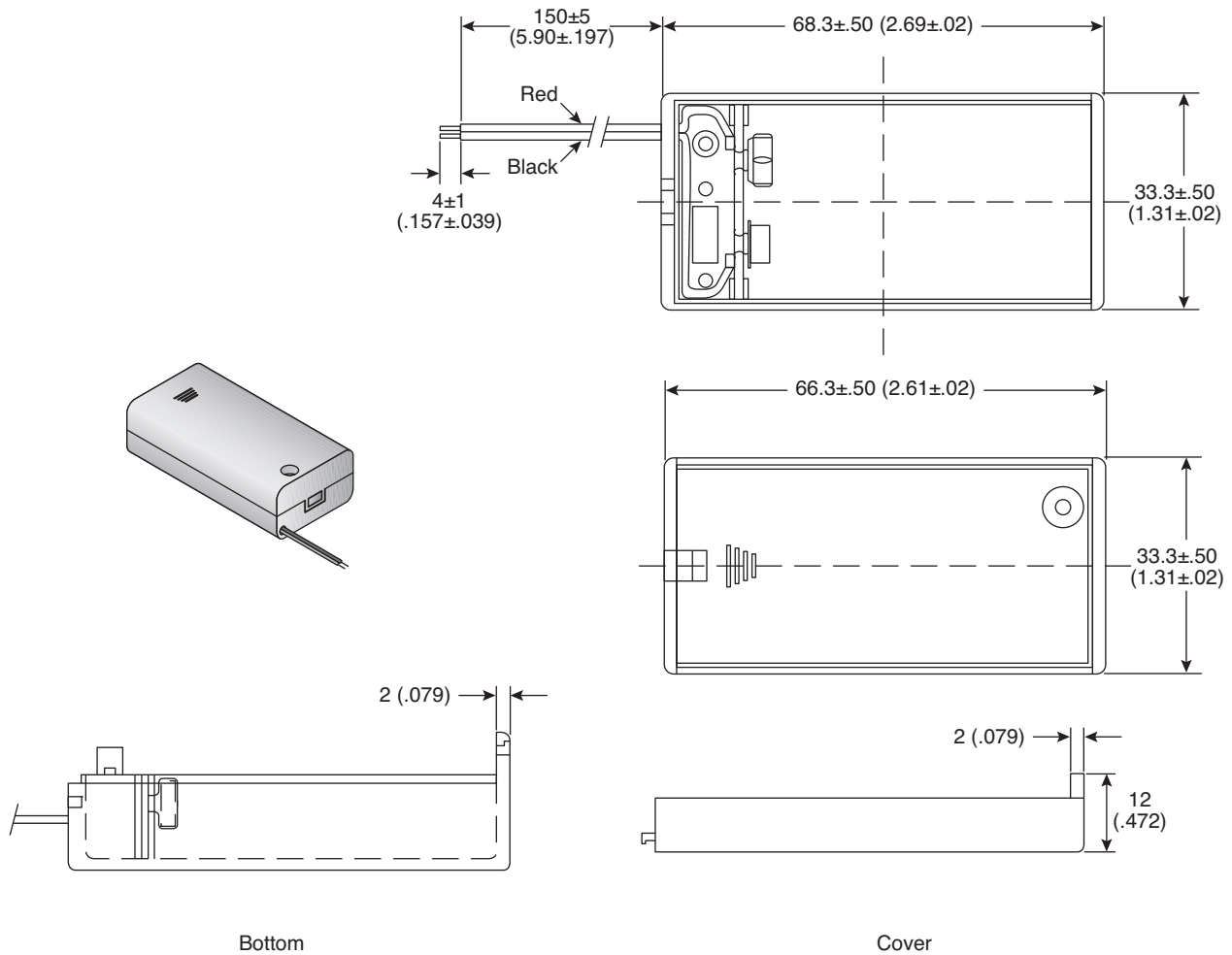


9V Battery Holder with Leads and Cover

12BH9VA/C-GR

Date Last Revised: 5/12/09



Dimensions: mm (in.)

| SPECIFICATIONS | |
|-----------------------|------------------------|
| Wire: | UL 1007 AWG #26 |
| | Black & Red 150mm ±5mm |
| | Strip & Tin 4mm ±1mm |
| Terminal: | 6 prong snap |
| Material: | ABS resin, black color |
| RoHS Compliant | |

Available from Mouser Electronics
1-800-346-6873 / www.mouser.com

EPD-200785

Specifications are subject to change without notice. No liability or warranty implied by this information. Environmental compliance based on producer documentation.