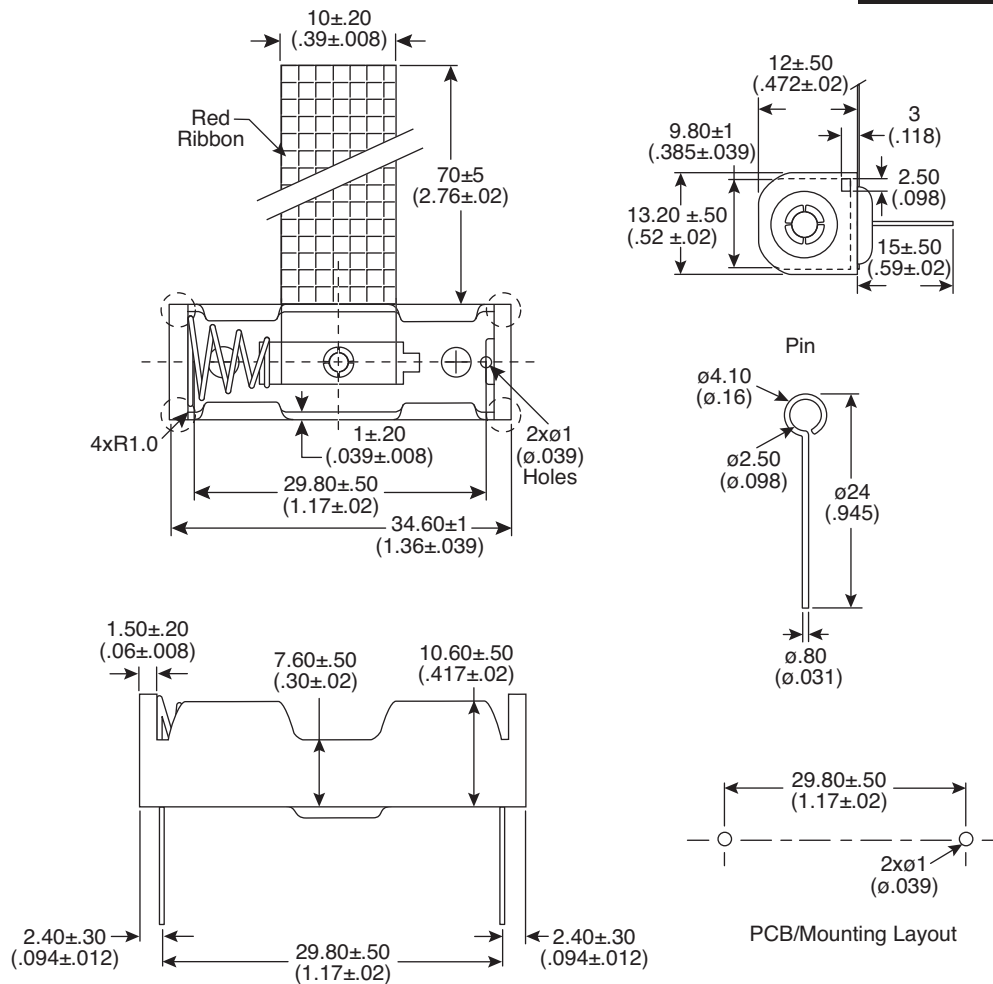


Date Last Revised: 1/8/10



Dimensions: mm (in.)

SPECIFICATIONS	
Body Material:	PP Resin, Black Color
w/ Pin:	∅0.8 x 24mm, Brass Tin
Spring:	0.5mm 65C Spring Steel Nickel Plated
RoHS Compliant	

Available from Mouser Electronics  
1-800-346-6873 / www.mouser.com

EPD-200607

Specifications are subject to change without notice. No liability or warranty implied by this information. Environmental compliance based on producer documentation.