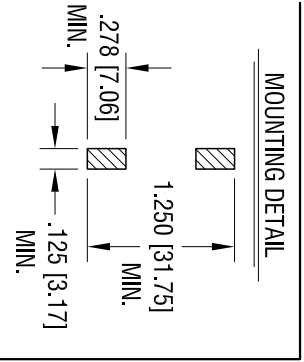
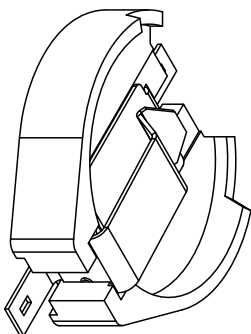
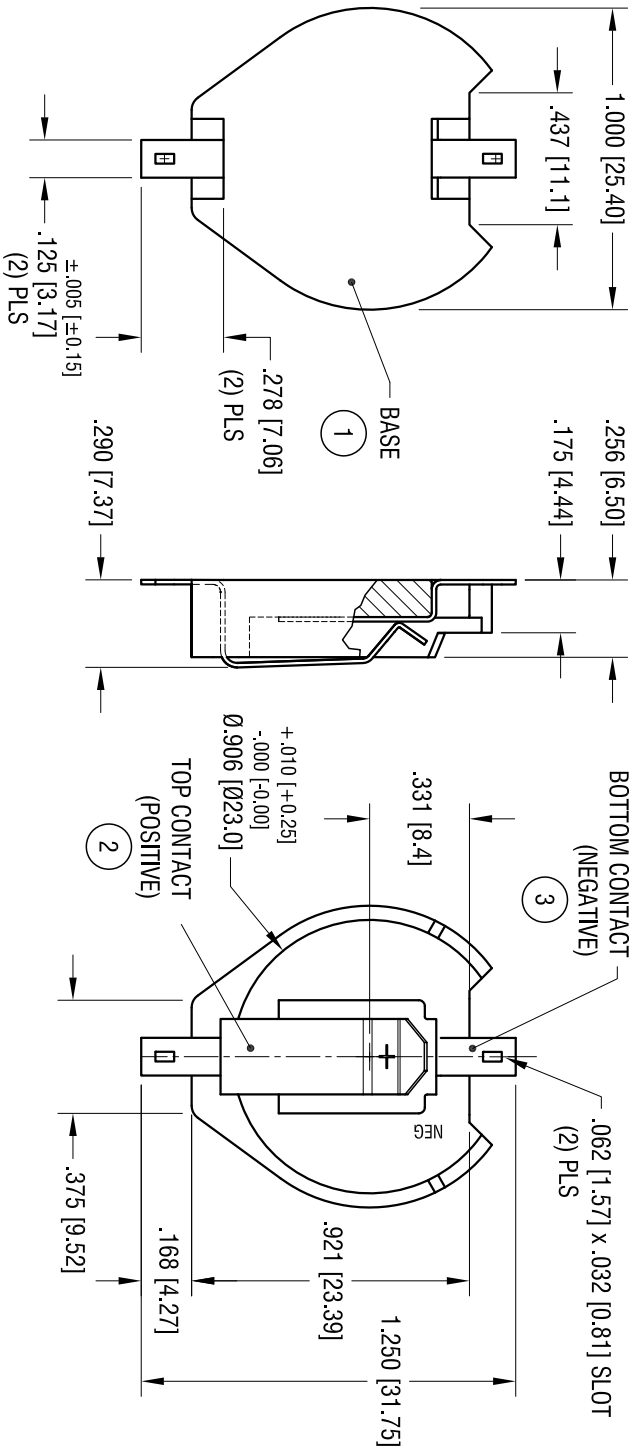


DATE	DESCRIPTION	REV.



ITEM	DESCRIPTION	MATERIAL/FINISH
1	BASE BLACK	HIGH TEMPERATURE NYLON (UL 94V-0)
2	TOP CONTACT	SPRING STEEL .015 [0.38] THK
3	BOTTOM CONTACT	GOLD FLASH PLATE

THIS DOCUMENT IS THE PROPERTY OF KEYSTONE ELECTRONICS CORP. AND SHALL NOT BE REPRODUCED, DISTRIBUTED OR COPIED IN ANY MANNER WITHOUT WRITTEN PERMISSION FROM KEYSTONE ELECTRONICS CORP.

<b>KEYSTONE ELECTRONICS CORP.</b>			
www.keyston.com • ASTORIA, N.Y. 11105-2017 • Tel (718) 956-8900			
PART NAME			
DUAL 23mm BATTERY HOLDER, SMT			
MATERIAL			
AS NOTED			
FINISH		AS NOTED	
AS NOTED		AS NOTED	
TOLEBRANGES	INCH	(MM)	
DECIMAL	± .010	[ ± 0.25 ]	
ANGULAR	± 1°		
UNLESS OTHERWISE SPECIFIED			
CODE	DWG NO.	DATE	SCALE
C	1083	3.19.09	2X