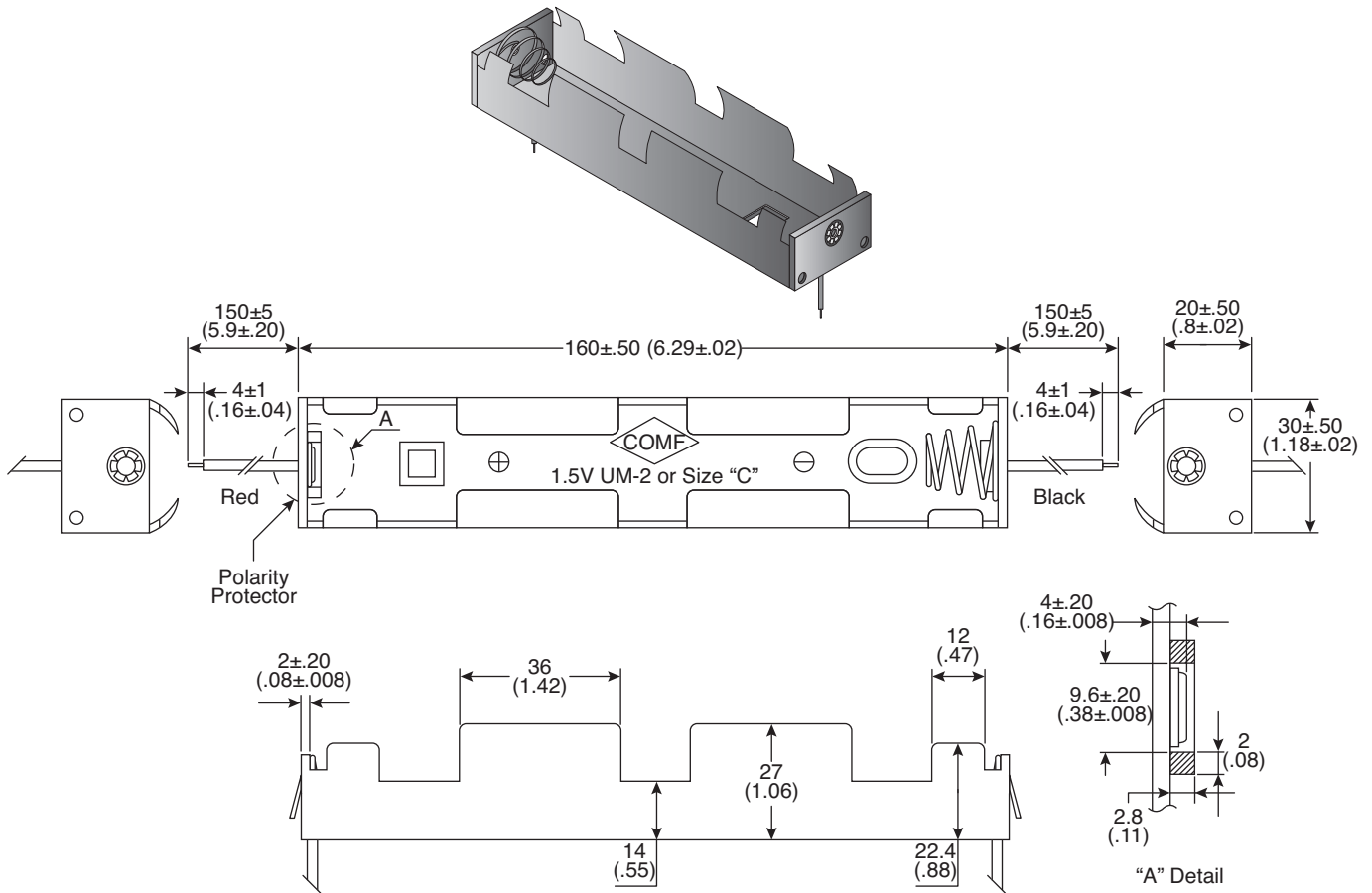


Last Revised: 4/1/10



Dimensions: mm (in.)

SPECIFICATIONS	
Wire:	UL1007 AWG#24
Black & Red:	150mm+5mm
Strip & Tin:	4mm±1mm
Washer:	ø4 x ø8 x ø0.8
Material:	P.P. Resin, Black Color
Spring:	0.8mm 65C Spring Wire
RoHS Compliant	

Available from Mouser Electronics  
1-800-346-6873 / [www.mouser.com](http://www.mouser.com)

EPD-200844

Specifications are subject to change without notice. No liability or warranty implied by this information. Environmental compliance based on producer documentation.