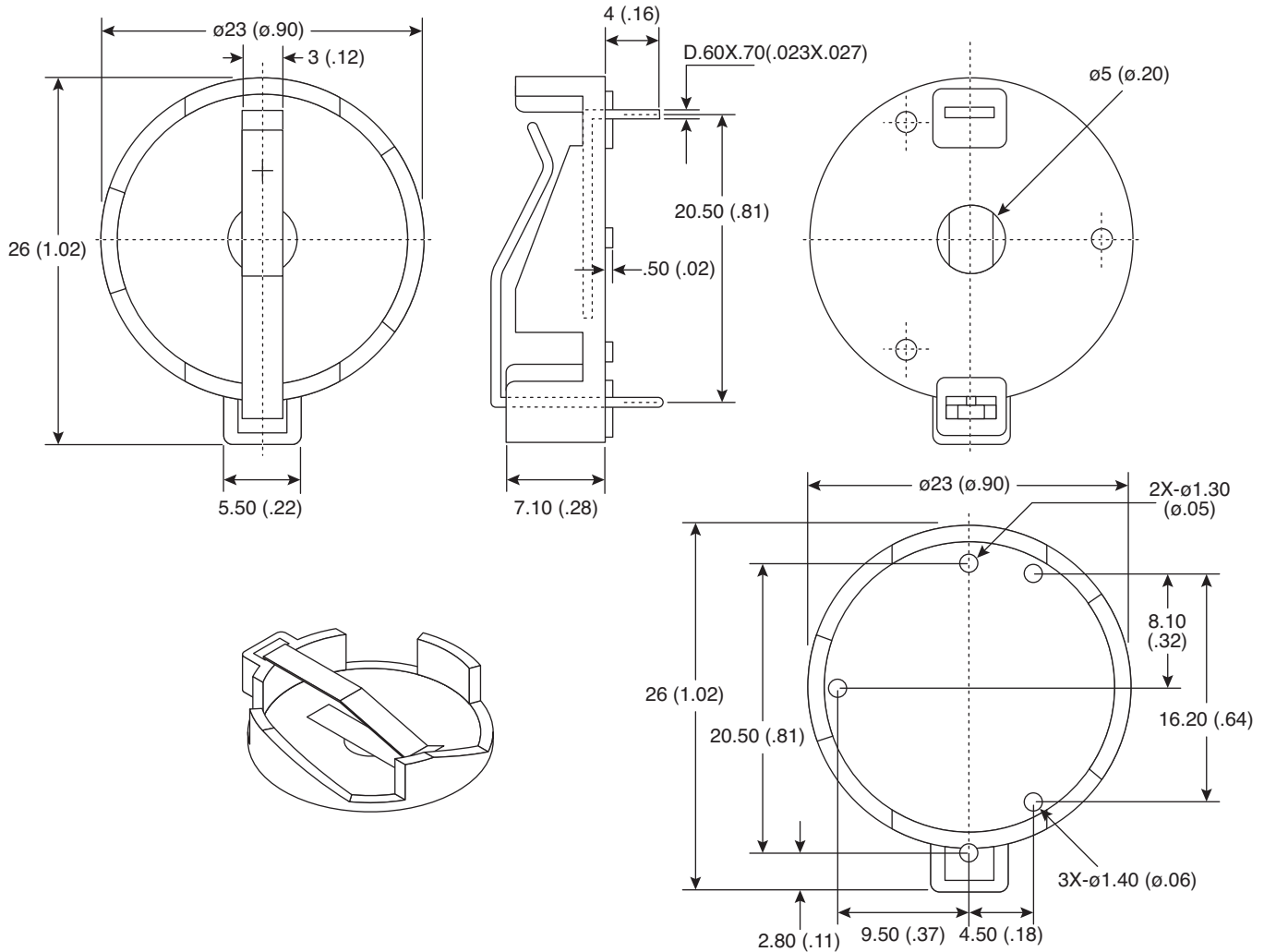


**Last Revised: 4/910**



Dimensions: mm (in.)

PCB Mounting Layout

## SPECIFICATIONS

<b>Housing Material:</b>	PBT+30%GF UL94V0 black color
<b>Contact Material:</b>	Phosphor bronze 0.6 thick tin plated over nickel
<b>Current Rating:</b>	2A (AC/DC)
<b>Voltage Rating:</b>	500VAC/DC
<b>Contact Resistance:</b>	30 m $\Omega$
<b>Insulation Resistance:</b>	500 M $\Omega$
<b>Temperature Range:</b>	-55°C to +85°C
<b>Humidity:</b>	40°C and 90-95% RH for 96 hours
RoHS Compliant	

Available from Mouser Electronics  
1-800-346-6873 / [www.mouser.com](http://www.mouser.com)

EPD-200878

Specifications are subject to change without notice. No liability or warranty implied by this information. Environmental compliance based on producer documentation.