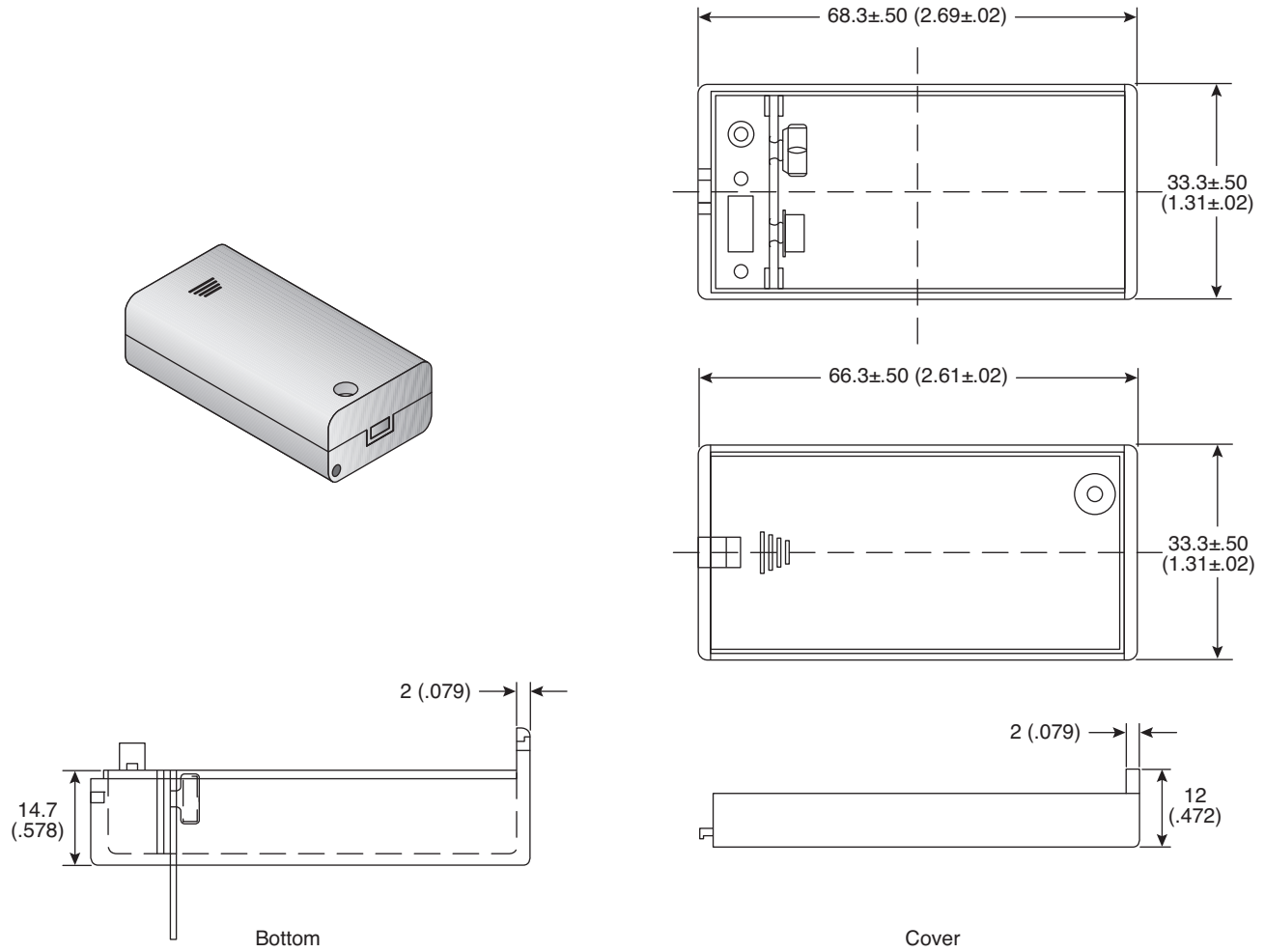


# 9V Battery Holder with Cover

12BH9VP/C-GR

Date Last Revised: 5/12/09



Dimensions: mm (in.)

SPECIFICATIONS	
Pin:	0.8 x 24
Terminal:	6 prong snap
Material:	ABS Resin, Black Color
RoHS Compliant	

Available from Mouser Electronics  
1-800-346-6873 / [www.mouser.com](http://www.mouser.com)

EPD-200784

Specifications are subject to change without notice. No liability or warranty implied by this information. Environmental compliance based on producer documentation.