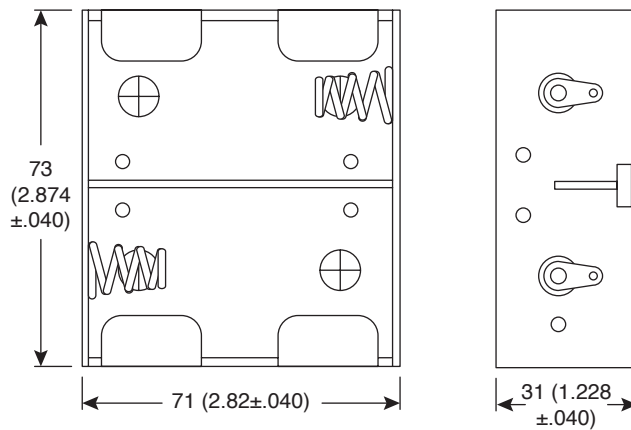
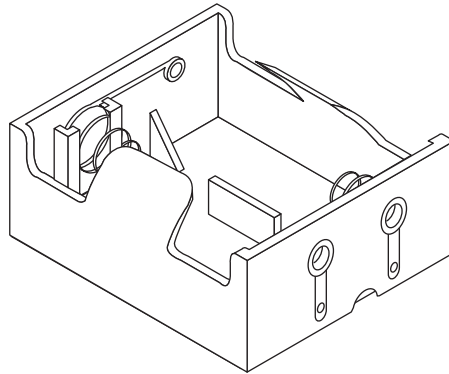


Date Last Revised: 6-7-07



Dimensions: mm (in.)

MATERIALS	
Solder Lugs:	Nickel plated brass
Body:	PP
Spring:	Spring Wire
Color:	Black

SPECIFICATIONS	
Type:	2 "D" cell w/ solder lugs
RoHS Compliant	

Available from Mouser Electronics
 1-800-346-6873 / www.mouser.com

EPD-200567

Specifications are subject to change without notice. No liability or warranty implied by this information. Environmental compliance based on producer documentation.