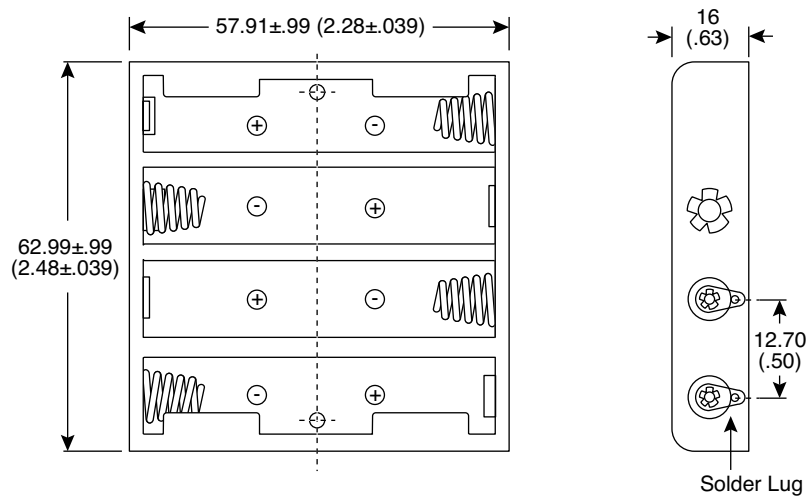
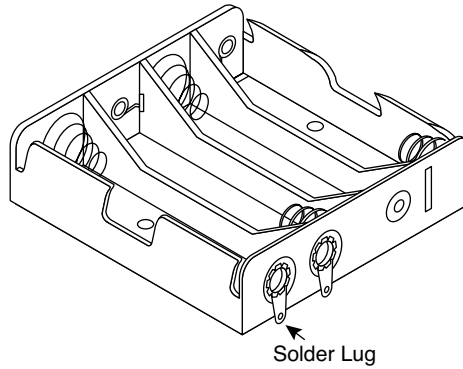


# 4 "AA" Battery Holder with Solder Lugs

12BH351-GR

Date Last Revised: 06-13-07



Dimensions: mm (in.)

## SPECIFICATIONS

<b>Type:</b>	4 "AA" Cells with Solder Lugs
<b>Spring:</b>	.028, 65C Spring Wire
<b>Body:</b>	PP Resin
<b>Color:</b>	Black
RoHS Compliant	

Available from Mouser Electronics  
1-800-346-6873 / [www.mouser.com](http://www.mouser.com)

EPD-200625

Specifications are subject to change without notice. No liability or warranty implied by this information. Environmental compliance based on producer documentation.