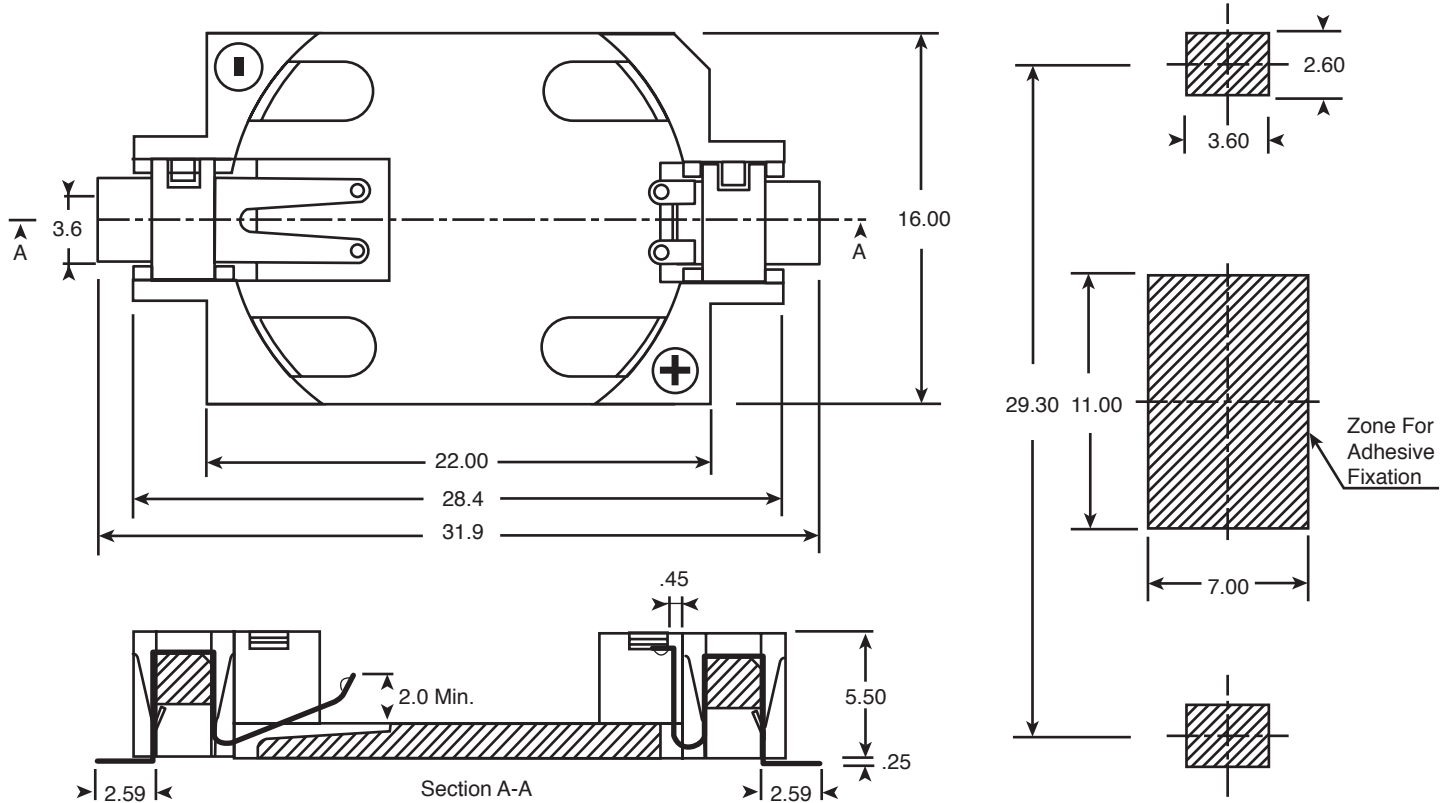


Date Last Revised: 1-3-07



SPECIFICATIONS	
Material:	Housing: LCP 30%GF UL94V-0 White Color Contacts: Phosphor Bronze C5191R-H
Plating:	Gold (1 μ min.) over Ni (5 μ min.) ; Lead Free
Reflow Temp:	260° C, Pure Tin
RoHS Compliant	

Available from Mouser Electronics
1-800-346-6873
www.mouser.com

EPD-200435

Specifications are subject to change without notice. No liability or warranty implied by this information. Environmental compliance based on producer documentation.