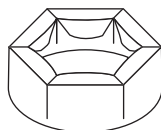
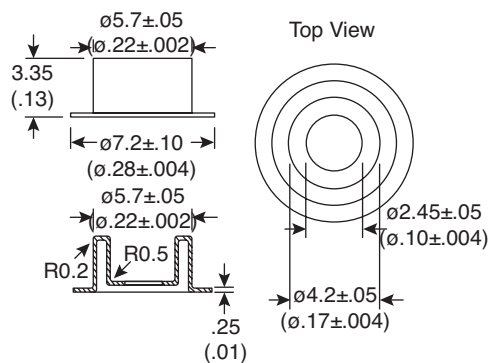
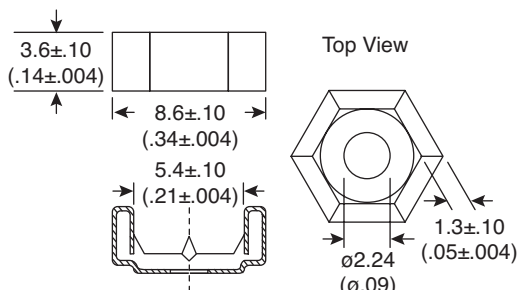
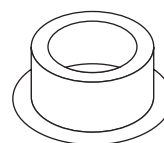


12BC269-GR
Female Snap



12BC261-GR
Male Snap



Dimensions: mm (in)

SPECIFICATIONS	
Type:	9V
Material:	Nickel plated brass
RoHS Compliant	

Note: 12BC269-GR has 6 Prongs.

Available from Mouser Electronics
1-800-346-6873
www.mouser.com

EPD-200439

Specifications are subject to change without notice. No liability or warranty implied by this information. Environmental compliance based on producer documentation.