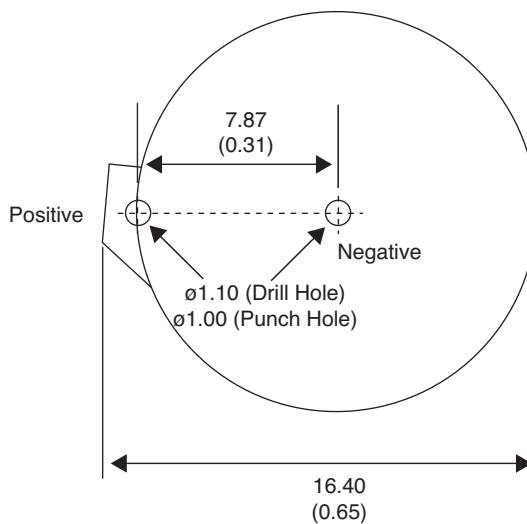
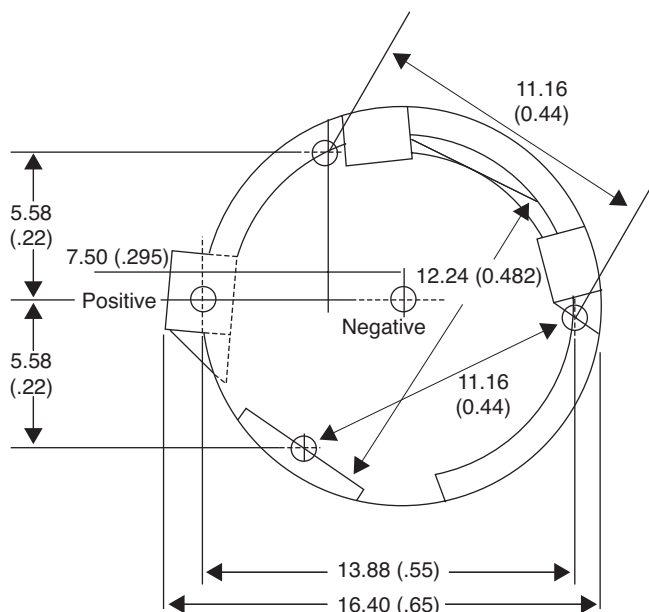
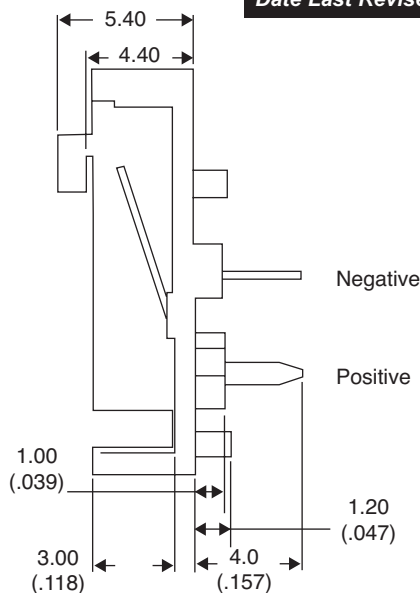
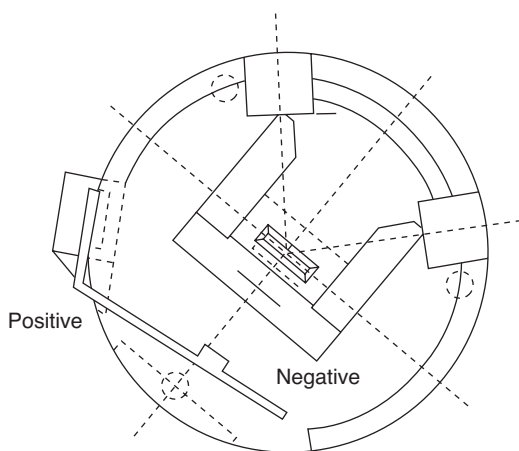


Date Last Revised: 06-12-07



PCB Layout

Dimensions: mm (in.)

SPECIFICATIONS	
Battery Dimensions:	CR 1220 (Diameter = ϕ 12.5 Thickness = 2.0)
RoHS Compliant	

Materials	
Housing:	PBT +30% Glass Filled, Black
Terminals:	Tin Plated Nickel over Phospher Bronze
Voltage Rating:	500V
Current Rating:	2A

Available from Mouser Electronics
1-800-346-6873 / www.mouser.com

EPD-200438

Specifications are subject to change without notice. No liability or warranty implied by this information. Environmental compliance based on producer documentation.