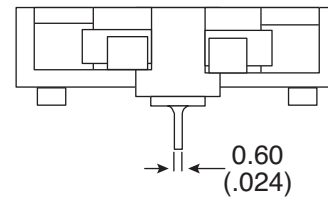
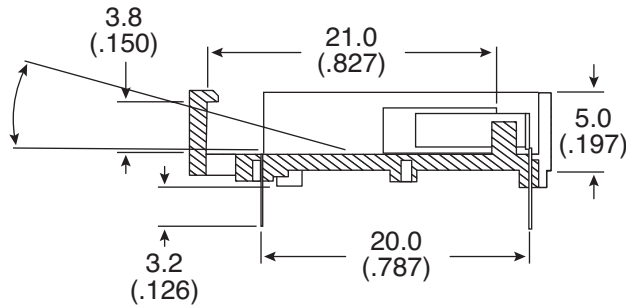


RECOMMENDED PC BOARD LAYOUT



Dimensions: mm (in.)

MATERIALS	
Housing:	PBT
Contact:	phosphor bronze
Plating:	Tin/Lead 90/10 100µ" min., Over Ni 50µ" min.
RoHS Compliant	

Available from Mouser Electronics
1-800-346-6873 / www.mouser.com

EPD-200661

Specifications are subject to change without notice. No liability or warranty implied by this information. Environmental compliance based on producer documentation.