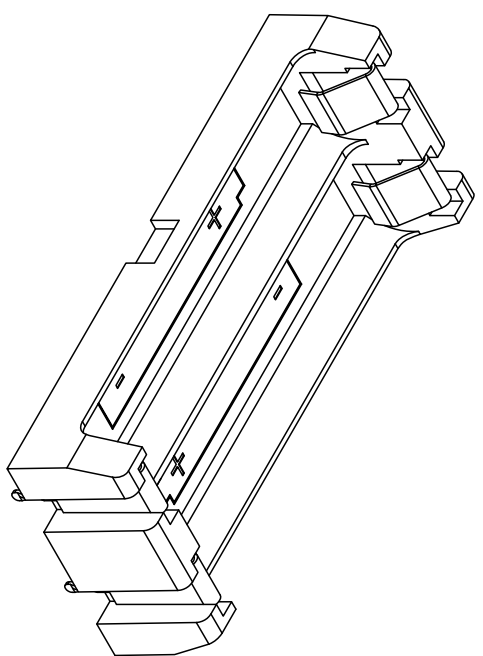


NOTE:
 1. BASE:
 MATL: HEAT RESISTANCE NYLON
 STANL 46 OR EQUIVALENT
 2. CONTACT:
 MATL: .012 [0.30] THK PHOSPHOR BRONZE
 FINISH: TIN NICKEL PLATE.



DATE	DESCRIPTION	REV.

THIS DOCUMENT IS THE PROPERTY OF KEYSTONE ELECTRONICS CORP. AND SHALL NOT BE REPRODUCED, DISTRIBUTED OR COPIED IN ANY MANNER WITHOUT PRIOR WRITTEN PERMISSION FROM KEYSTONE ELECTRONICS CORP.

KEYSTONE ELECTRONICS CORP.			
www.keystec.com • ASTORIA, N.Y. 11105-2017 • Tel (718) 956-8900			
PART NAME THIM DUAL BATTERY HOLDER, AAA			
MATERIAL AS NOTED			
FINISH AS NOTED		DRN BY NT	DATE 12.08.09
TOLERANCES DECIMAL ± .010 [± 0.25] ANGULAR ± 1°		CODE C	DWG NO. 1023
UNLESS OTHERWISE SPECIFIED			