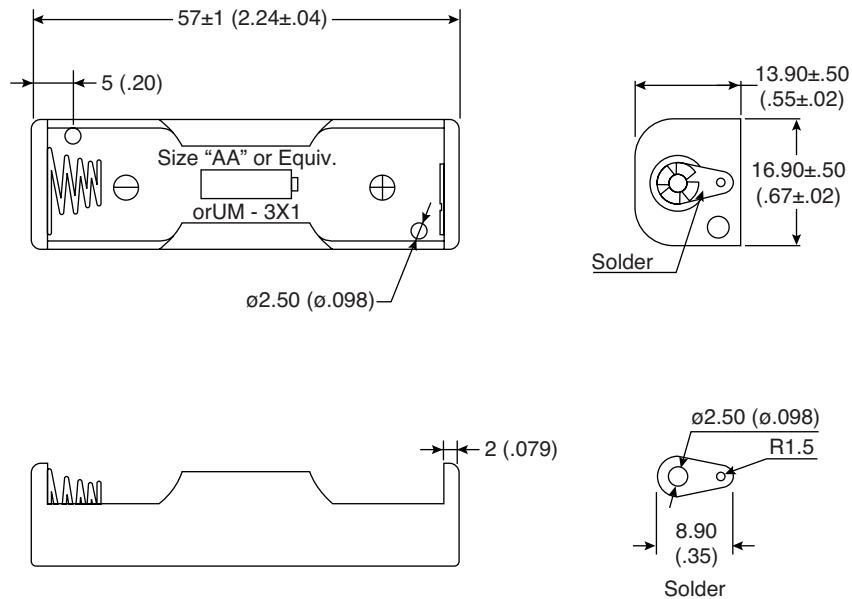
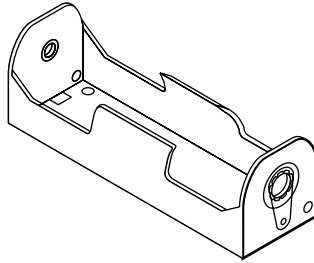


# 1 "AA" Battery Holder with Solder Lugs

12BH311-GR

Date Last Revised: 3-17-08



Dimensions: mm (in.)

SPECIFICATIONS	
Cell:	Holds 1 "AA"
Housing Material :	PP Resin, black color
RoHS Compliant	

Available from Mouser Electronics  
1-800-346-6873 / [www.mouser.com](http://www.mouser.com)

EPD-200656

Specifications are subject to change without notice. No liability or warranty implied by this information. Environmental compliance based on producer documentation.