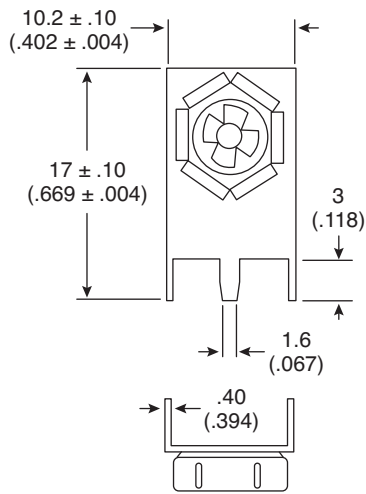
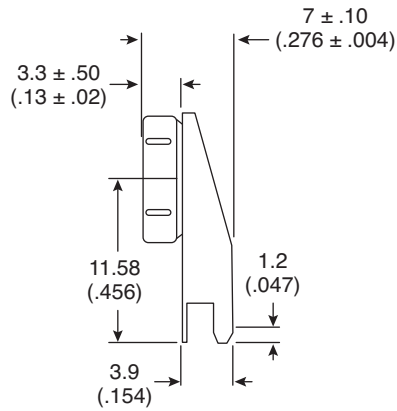


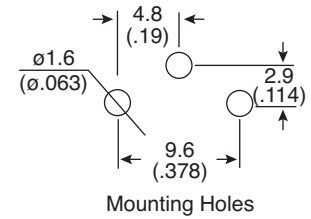
Date Last Revised: 12-03-09



Female Contact 12BC220-GR



Male Contact 12BC210-GR



DIMENSIONS mm (in.)

SPECIFICATIONS

Terminal:	With 6 prong snap terminal
Material:	Brass, nickel plated
Thickness:	0.4mm
RoHS Compliant	

Available from Mouser Electronics
1-800-346-6873 / www.mouser.com

EPD-200620

Specifications are subject to change without notice. No liability or warranty implied by this information. Environmental compliance based on producer documentation.