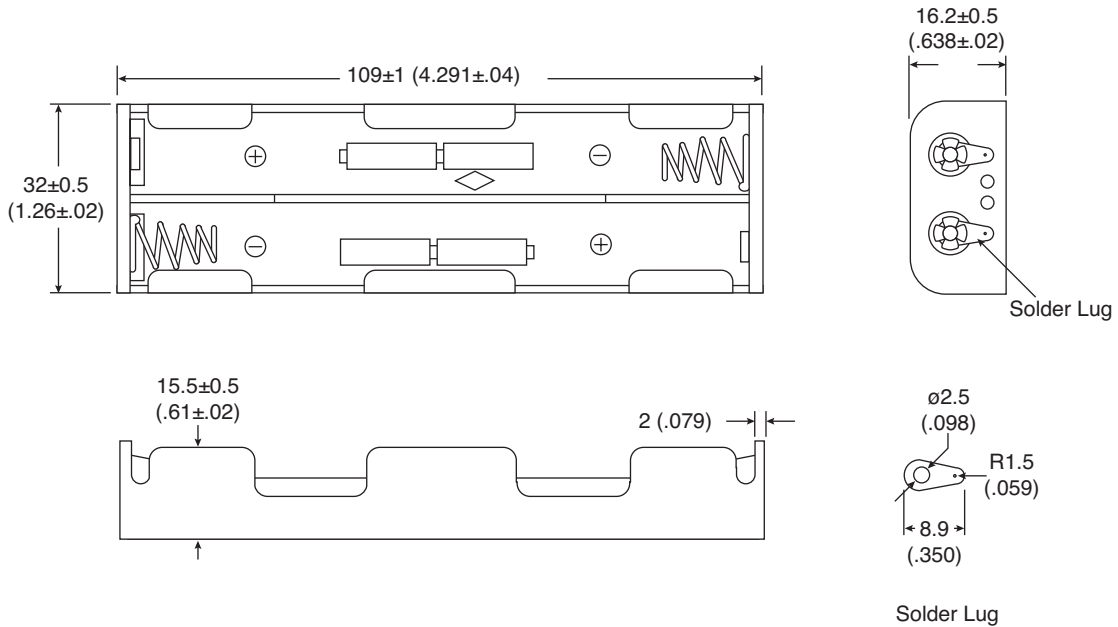


Date Last Revised: 06-19-07



Dimensions: mm (in.)

SPECIFICATIONS	
Terminal:	Solder Lugs
Material:	PP Resin
Color:	Black
Spring:	0.7mm 65C Spring Wire
RoHS Compliant	

Available from Mouser Electronics
1-800-346-6873 / www.mouser.com

EPD-200614

Specifications are subject to change without notice. No liability or warranty implied by this information. Environmental compliance based on producer documentation.