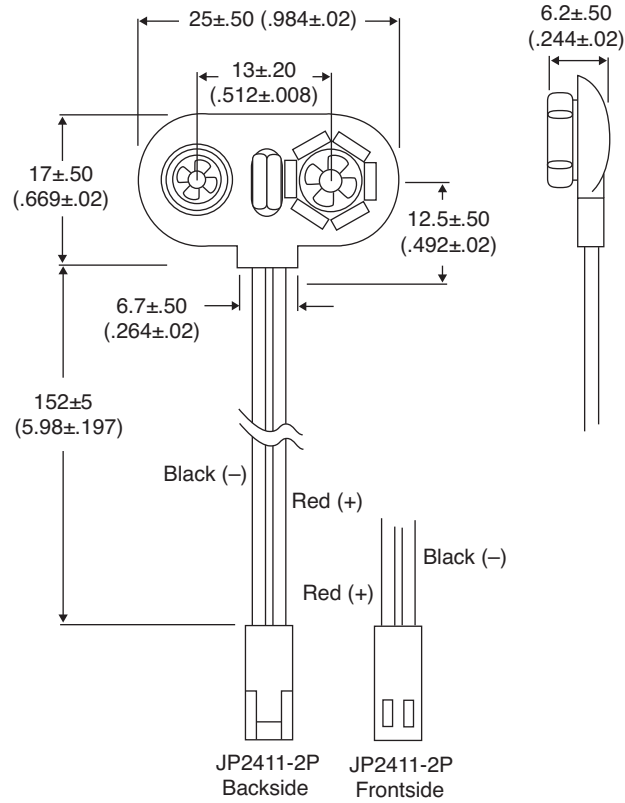


Date Last Revised: 10-6-08



Dimensions: mm (in.)

SPECIFICATIONS	
<b>Wire:</b>	AWG26, Black and Red: 152mm±5mm
<b>Terminal:</b>	With 6 Prong Snap
<b>Material:</b>	A.B.S Resin, Black
With J24111-2 BS-2 Terminal and JP2411-2P Housing (2510)	
Mates with Molex P/N 22-11-2022	
<b>RoHS Compliant</b>	

Available from Mouser Electronics  
 1-800-346-6873  
 www.mouser.com

EPD-200741

Specifications are subject to change without notice. No liability or warranty implied by this information. Environmental compliance based on producer documentation.