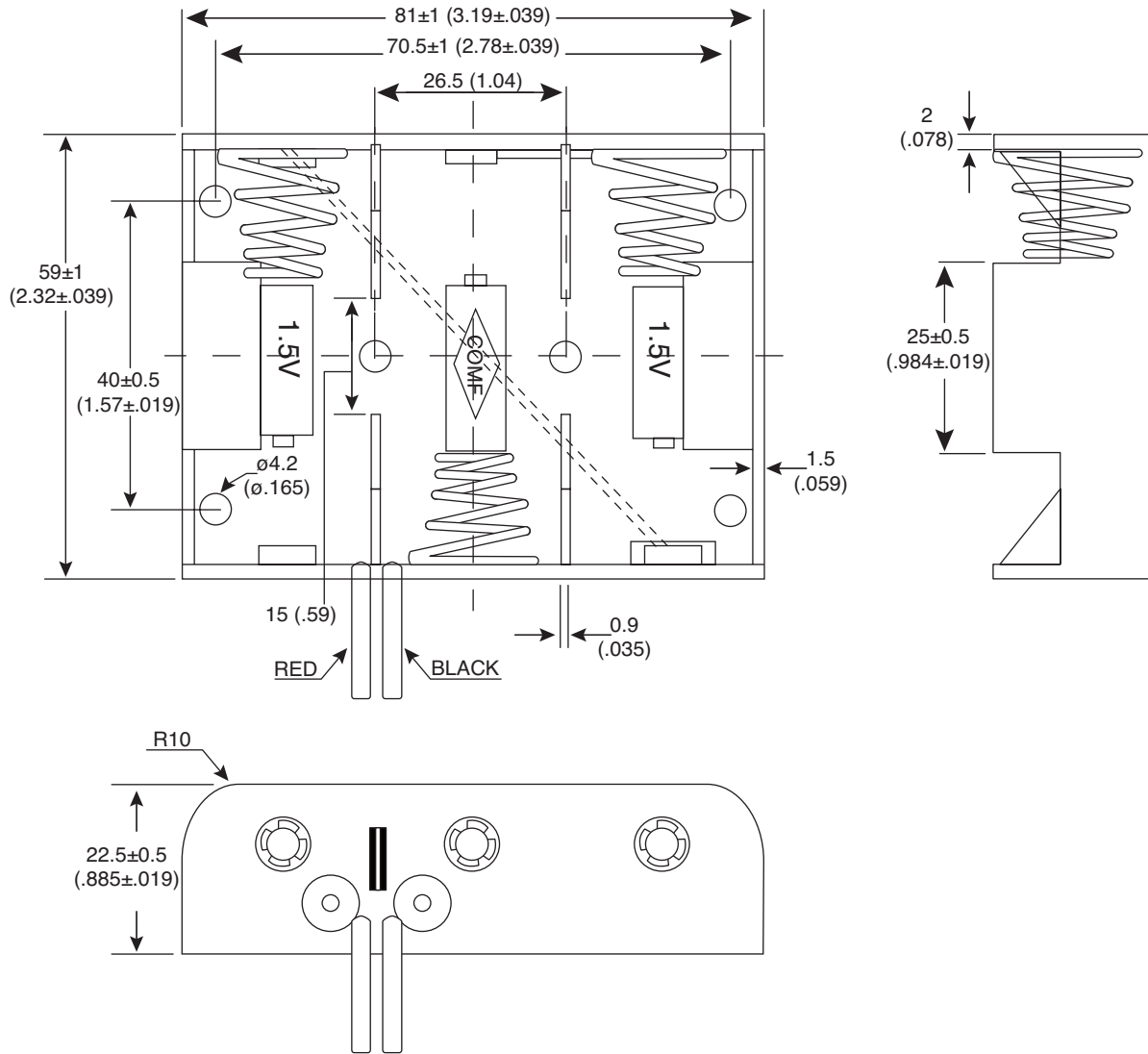


Date Last Revised: 01-16-08



Dimensions: mm (in.)

SPECIFICATIONS	
Wire:	UL1007 AWG #24
	Black and red 150mm ± 5mm
	Strip and tin 4mm±1mm
Material:	P.P. Resin, black color
Spring:	0.8mm 6.5C spring wire
RoHS Compliant	

Available from Mouser Electronics  
1-800-346-6873 / [www.mouser.com](http://www.mouser.com)

EPD-200693

Specifications are subject to change without notice. No liability or warranty implied by this information. Environmental compliance based on producer documentation.