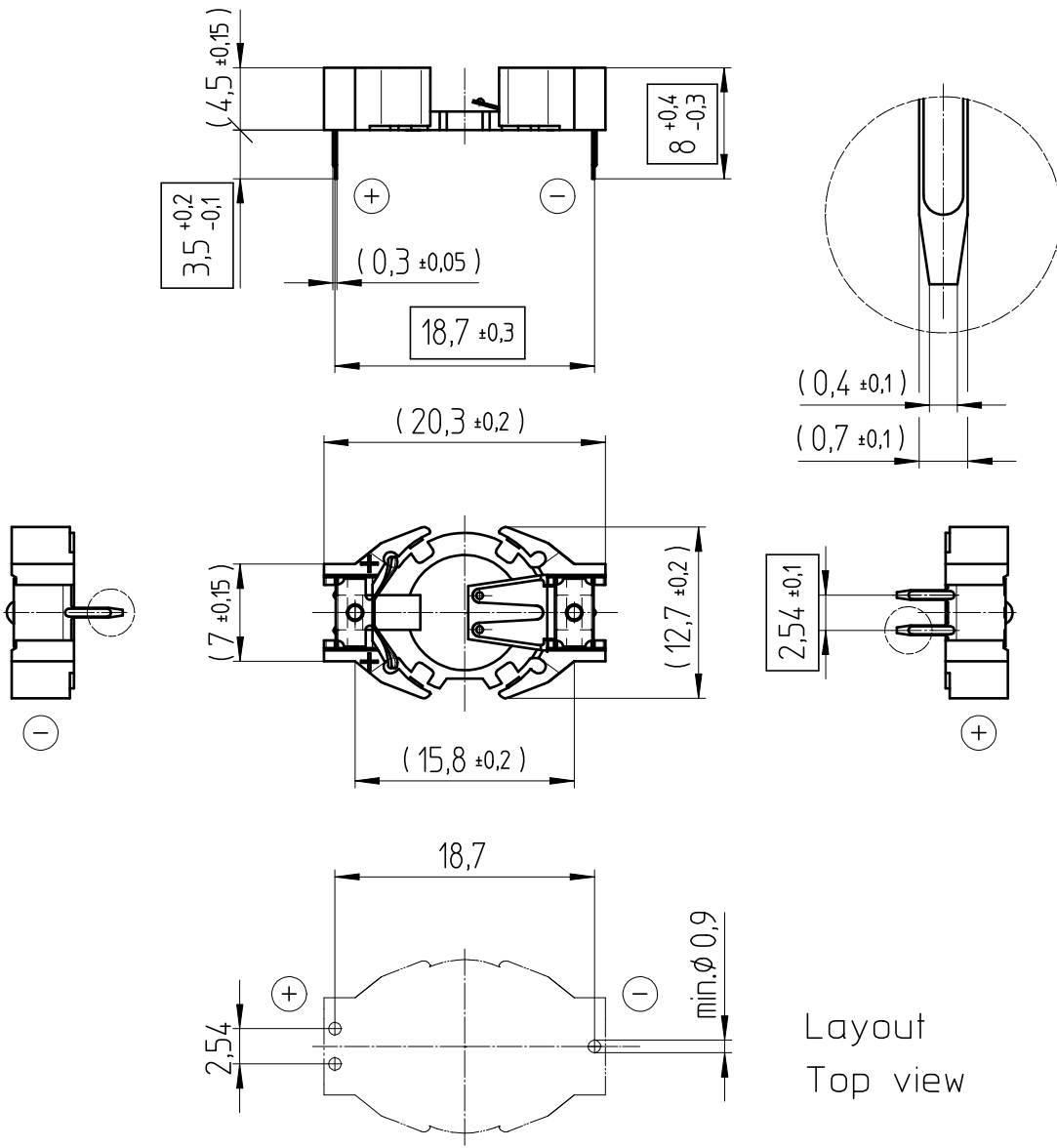


Art.-Number: 701105



Layout
Top view

- Samples can deviate in the execution from the serie.

Holder material : heat resistant, glass-fiber reinforced LCP

Battery contacts : spring stainless steel 301 nickel plated, thickness 10 μ m

Solder contacts : spring stainless steel 301 solder plated throughout 100% Sn, thickness 10 μ m

- Dimensions and tolerances can be specified only after the testing of the devices for the mass production definitely

All framed values will be used for dimension checking !

Rev.	<input type="radio"/>			Rev.	<input type="radio"/>				Customer's Approval			
Rev.	<input type="radio"/>			Rev.	<input type="radio"/>				Date			
Rev.	<input type="radio"/>			Rev.	<input type="radio"/>				Signature			
Titel:								Scale 2:1	Drawn	17.01.05	SRI	
HU1225-LF									Checked			
									Approved	02.02.05	MHo	
				CH-4452 Itingen Switzerland				3.8747.4-				