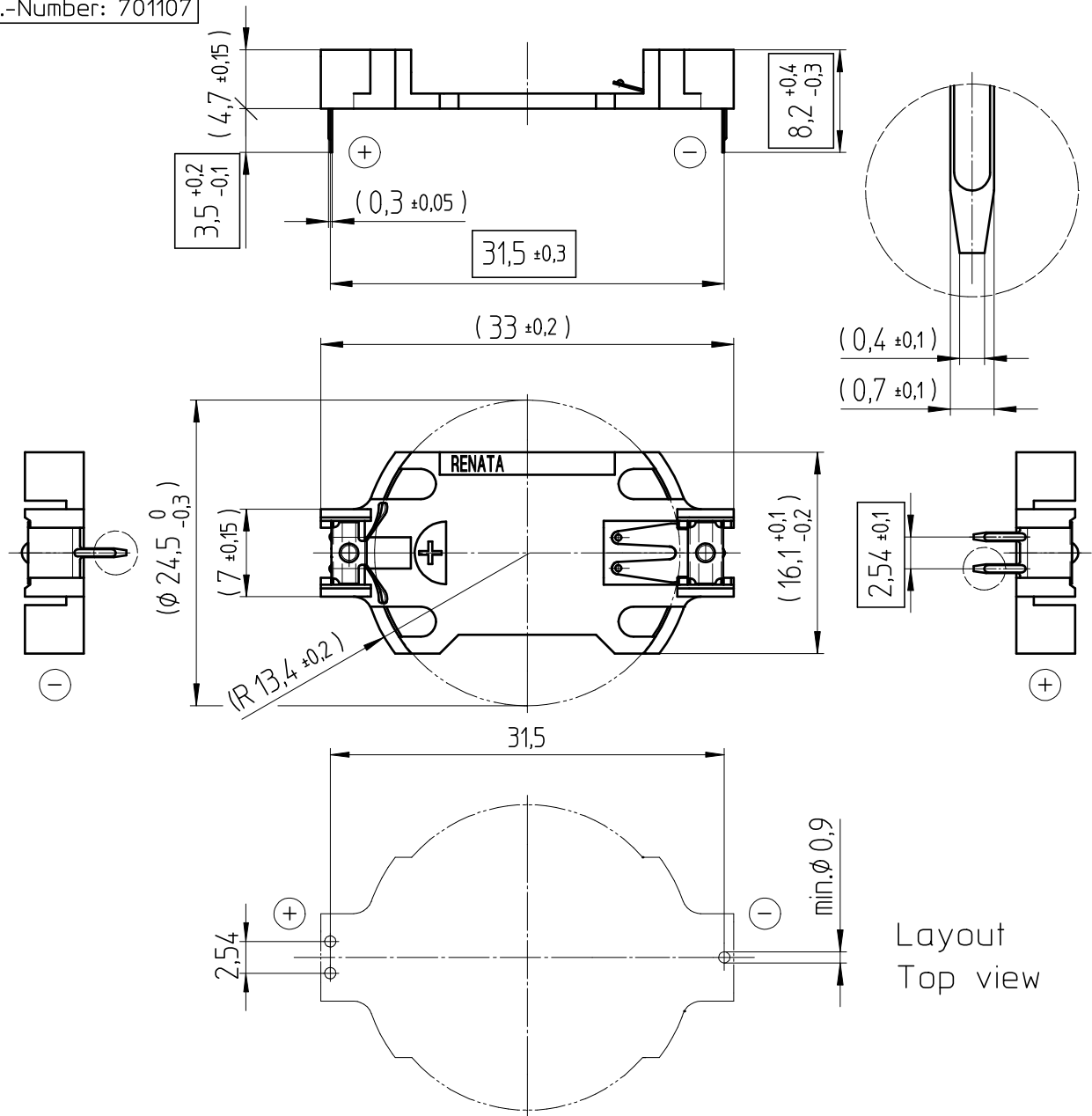


Art.-Number: 701107



- Samples can deviate in the execution from the serie.

- Dimensions and tolerances can be specified only after the testing of the devices for the mass production definitely

Holder material : heat resistant, glass-fiber reinforced LCP

Battery contacts : spring stainless steel 301 nickel plated, thickness 10µm

Solder contacts : spring stainless steel 301 solder plated throughout 100% Sn, thickness 10µm

All framed values will be used for dimension checking !

Layout
Top view

| | | | | | | | | | | | |
|--------------------|---|----------|-----|--------------------------------|---|--|--|---------------------|---------------------|----------|-----|
| Rev. | ① | 10.09.07 | MCI | Rev. | ○ | | | | Customer's Approval | | |
| Rev. | ○ | | | Rev. | ○ | | | | Date | | |
| Rev. | ○ | | | Rev. | ○ | | | | Signature | | |
| Titel: | | | | | | | | Scale 2:1 | Drawn | 21.01.05 | SRI |
| <h1>HU2430-LF</h1> | | | | | | | | | Checked | 10.09.07 | BBö |
| | | | | | | | | | Approved | | |
| | | | | CH-4452 Itingen Switzerland | | | | <h2>3.8752.4-1</h2> | | | |