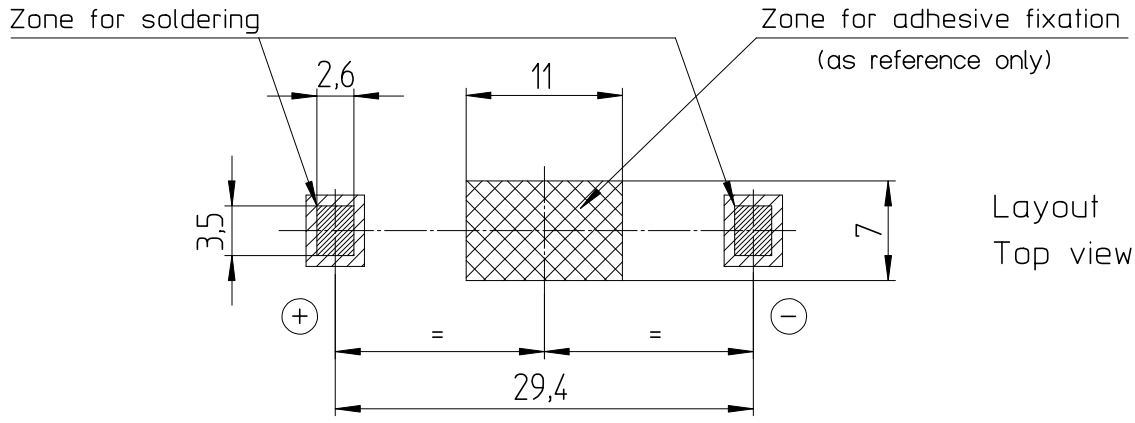
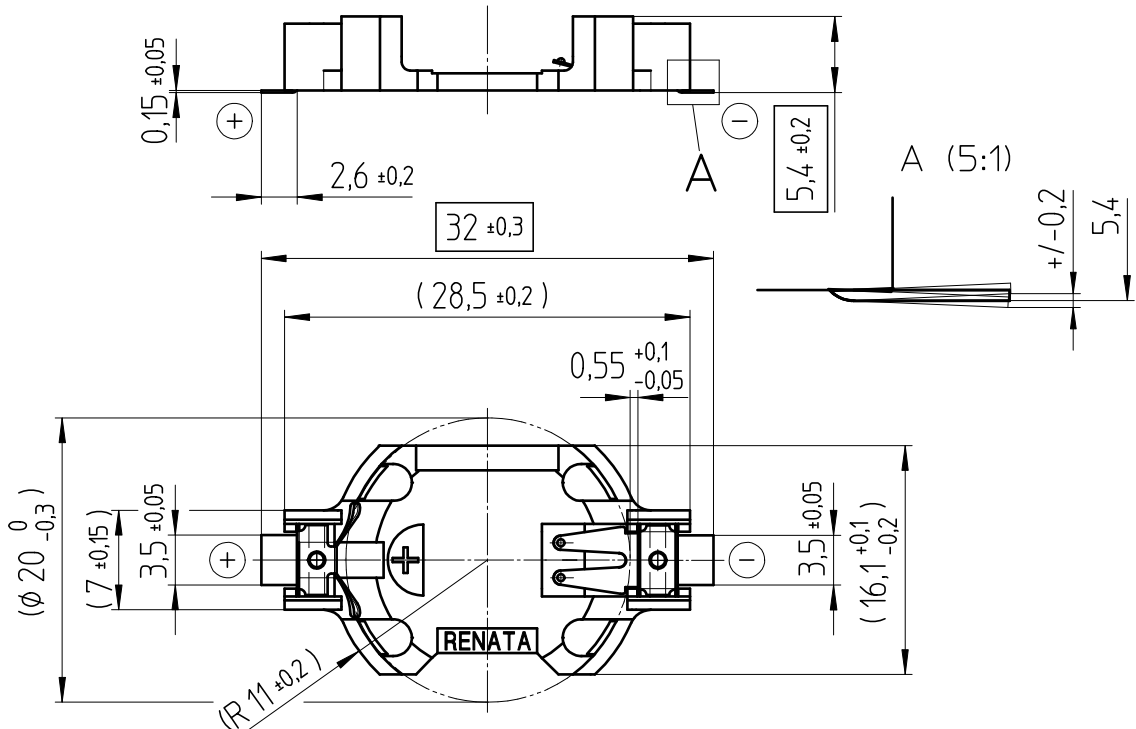


Art.-Number: 701116



Holder material : heat resistant, glass-fiber reinforced LCP
 Battery contacts : spring stainless steel 301 nickel plated, thickness 10µm
 Solder contacts : spring stainless steel 301 solder plated throughout 100% Sn, thickness 10µm

All framed values will be used for dimension checking !

Samples can deviate in the execution from the serie.

Dimensions and tolerances can be specified only after the testing of the devices for the mass production definitely

Rev. ①	06.08.07	SRI	Rev. ④	24.10.07	SRI		Customer's Approval		
Rev. ②	07.09.07	MCI	Rev. ○				Date		
Rev. ③	26.09.07	SRI	Rev. ○				Signature		
Titel:						Scale 2:1	Drawn	25.01.05	SRI
SMTU2032-LF							Checked	24.10.07	BBö
							Approved	25.10.07	MHo
			CH-4452 Itingen Switzerland			3.8760.4-4			