



Features

- 1.27 mm pitch
- Precious metal contacts
- Twin hot contacts (symmetrical pad layout)
- Pick & place compatible
- High cycle life
- RoHS compliant* - see [processing information](#) on lead free modular contacts

- For applications/processing guidelines, [click here](#)

70AB/Female - Modular Contact

Materials & Finishes

Insulator....Glass reinforced thermoplastic, UL 94V-0 rated, black
 Contact.....Copper alloy
 Finish
 UnderplatingNickel
 Contact Area.....Gold

Operating Characteristics

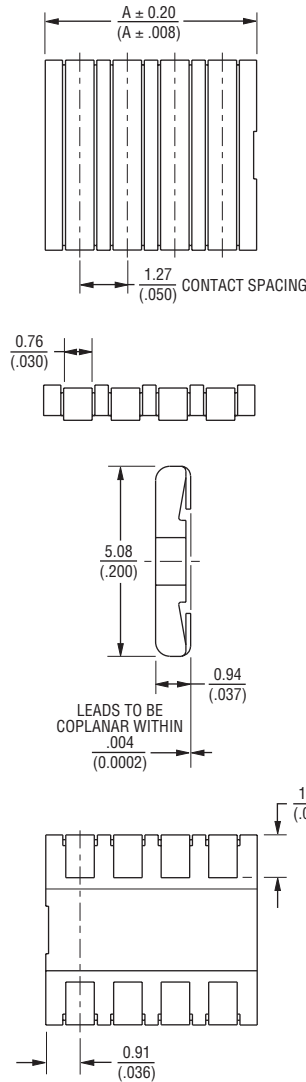
Electrical
 Current Rating.....3 A/contact
 Voltage Rating.....60 V
 Contact Resistance ...25 milliohms max.
 Dielectric VoltageAC 500 V
 Insulating Resistance ..1000 Mohms min.
 Operating Temperature
-55 °C to +125 °C
 Mechanical
 Durability.....5,000 cycles min.

How to Order

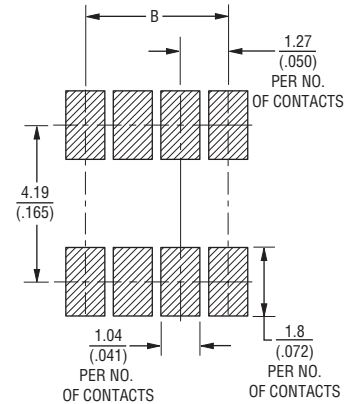
70AB J - 4 - F 0 E

Model _____
 Terminal Style _____
 Number of Contacts (N)
 2, 3 or 4 _____
 Gender _____
 F = Female _____
 Options _____
 0 = Standard _____
 Packaging Option _____
 E = Embossed Tape (500 pcs. per reel)

Product Dimensions



Recommended PWB Layout



Number of Contacts	Dimension B
2	1.27 (.050)
3	2.54 (.100)
4	3.81 (.150)

TOLERANCES: ± 0.25 UNLESS OTHERWISE NOTED
 (± 0.010)
 DIMENSIONS: $\frac{\text{MM}}{\text{(INCHES)}}$

Number of Contacts	Dimension A
2	3.05 (.120)
3	4.32 (.170)
4	5.59 (.220)

*RoHS Directive 2002/95/EC Jan 27 2003 including Annex.
 Specifications are subject to change without notice.
 Customers should verify actual device performance in their specific applications.

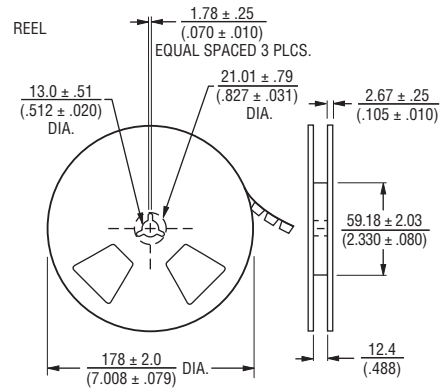
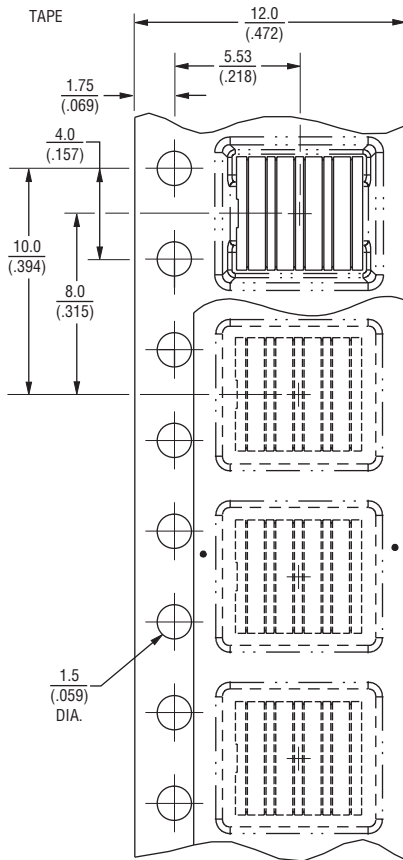
Applications

- Handheld communications - mobile phones, pagers, cordless phones, GPS, PICs, radios
- Portable consumer equipment - PDAs, HPCs, notebook PCs, cameras, dictaphones, PICs, games

70AB/Female - Modular Contact

BOURNS®

Packaging Specifications

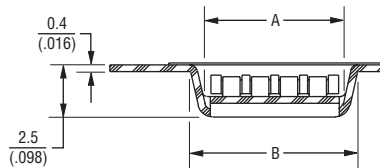


No. of Contacts	Dimension A	Dimension B (Max.)
2	$\frac{3.54}{(.139)}$	$\frac{4.88}{(.192)}$
3	$\frac{4.82}{(.190)}$	$\frac{6.16}{(.243)}$
4	$\frac{6.10}{(.240)}$	$\frac{7.44}{(.293)}$

TOLERANCES: .XX = $\frac{\pm 0.5}{(\pm .020)}$ UNLESS OTHERWISE NOTED

.XXX = $\frac{\pm 0.127}{(\pm .005)}$ UNLESS OTHERWISE NOTED

DIMENSIONS: $\frac{\text{MM}}{(\text{INCHES})}$



BOURNS®

Asia-Pacific: Tel: +886-2 2562-4117 • Fax: +886-2 2562-4116

Europe: Tel: +41-41 768 5555 • Fax: +41-41 768 5510

The Americas: Tel: +1-951 781-5500 • Fax: +1-951 781-5700

www.bourns.com

REV. 08/10

Specifications are subject to change without notice.
Customers should verify actual device performance in their specific applications.