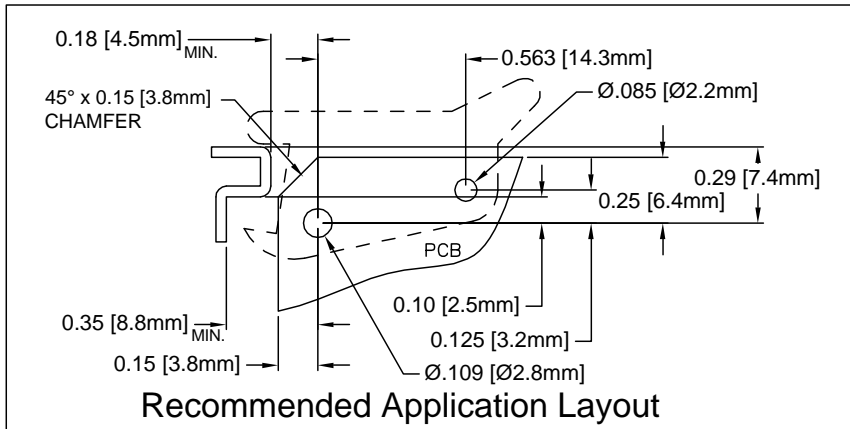


REV.	DESCRIPTION	DATE	APPROVED
F	Production Release	02/27/04	M. C.



CARD THICKNESS: 1/16" (1.6mm)

PART NO.	BIVAR MT'L CODE
LP-06 NT	03-NL (#2, Natural, 94V-2)
LP-06 BK	03-NL-BK (#3, Black, 94V-2)
LP-06 WE	04-WE (#4, White, 94V-2)
LP-06 BK 94V-0	22-BK (#5, Black, 94V-0)
LP-06 WE 94V-0	24-WE (#6, White, 94V-0)

6. MATERIAL: NYLON 6/6, 94V-0, WHITE. BIVAR MATERIAL CODE 24-WE.
RTP POLYAMIDE NYLON 6/6, 0299X63548, NATURAL OR MODIFIED PLASTICS MN6/6-SE WHT.
5. MATERIAL: NYLON 6/6, 94V-0, BLACK. BIVAR MATERIAL CODE 22-BK.
RTP POLYAMIDE NYLON 6/6, 0200 FR, BLACK OR MODIFIED PLASTICS MN6/6-SE BK.
4. MATERIAL: NYLON 6/6, 94V-2, WHITE. BIVAR MATERIAL CODE 04-WE.
BASF ULTRAMID NYLON 6/6 A3K WHITE.
3. MATERIAL: NYLON 6/6, 94V-2, BLACK. BIVAR MATERIAL CODE 03-NL-BK.
BASF ULTRAMID NYLON 6/6 A3K NATURAL W/BLACK PIGMENT ADDED.
2. MATERIAL: NYLON 6/6, 94V-2, NATURAL. BIVAR MATERIAL CODE 03-NL.
BASF ULTRAMID NYLON 6/6 A3K NATURAL.
1. GENERAL SPECIFICATIONS: BIVAR MOLDED COMPONENT SPECIFICATION BV00-E101.

STANDARD TOLERANCE (UNLESS OTHERWISE SPECIFIED)		 4 THOMAS, IRVINE, CA. 92618 TEL: (949) 951-8808 FAX: (949) 951-3974			
DECIMALS	ANGULAR				
.X ± .1	X° ± 1°	TITLE: CIRCUIT BOARD CARD EJECTOR			
.XX ± .01					
.XXX ± .005		DESIGNED: Shane Irving	DATE: 09/21/98	PART NO: LP-06	REVISION: F
		CHECKED: R. Dienst	DATE: 04/06/00	CAGE CODE : 32559	SHEET # 1 OF 1
<small>CAD GENERATED DOCUMENT. DO NOT MEASURE DRAWING.</small>					