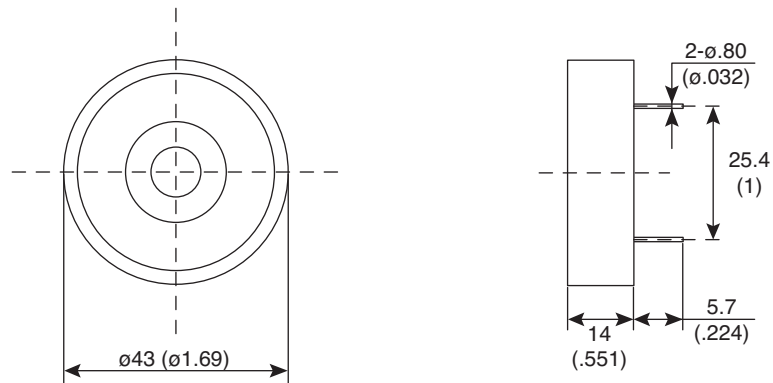


Part Number:

254-PB438-ROX



Piezo Buzzer

KT-400467

Electrical Specifications:

- Rated Voltage: 12 VDC
- Operating Voltage: 3-20 VDC
- Rated Current: 12 mA (max.)
- Sound Output at 30cm: 100 dBA (min.)
- Resonant Frequency: 2800Hz \pm 500

Mechanical Specifications:

- Operating Temperature: $-20^{\circ}\text{C} \sim +60^{\circ}\text{C}$
- Storage Temperature: $-30^{\circ}\text{C} \sim +70^{\circ}\text{C}$

Note:

- RoHS Compliant by Exemption